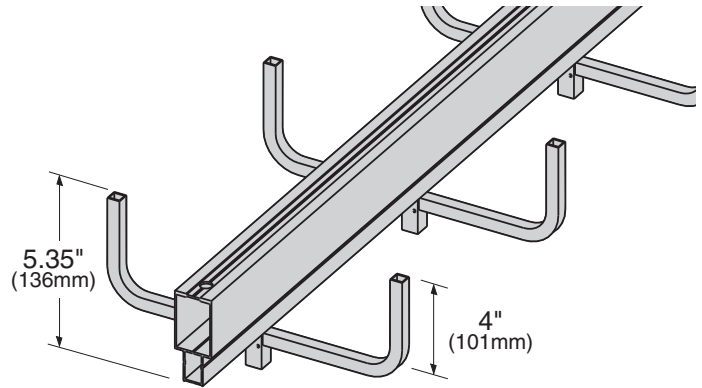


## New - Verti-Rack™ 4" Fill Depth to 24" Wide

### Single Tier

Cat. No.
● <b>C4A1V12-24-144</b>

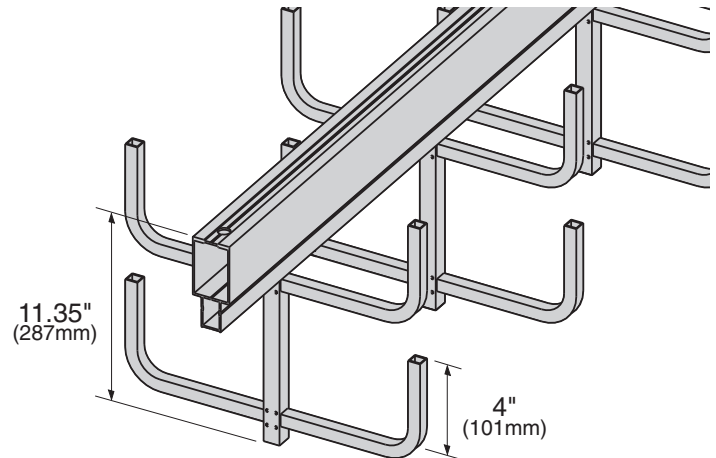
- Expandable with Add-A-Rung
- Center rail loading to NEMA 12C
- UL Classified
- Widths available: 6", 9", 12", 18" and 24"
- Lengths: 120" or 144"



### Two Tier

Cat. No.
● <b>C4A2V12-24-144</b>

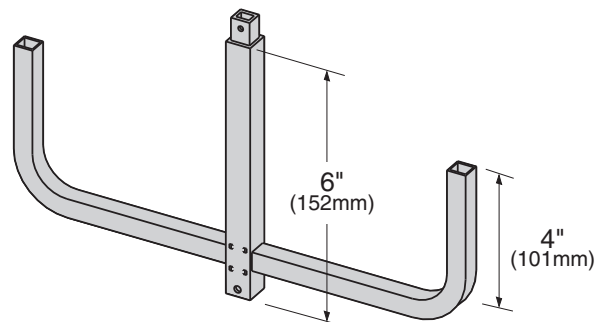
- Center rail loading to NEMA 12C
- UL Classified
- Widths available: 6", 9", 12", 18" and 24"
- Lengths: 120" or 144"



### Add-A-Rung

Cat. No.
● <b>CAR-1V424</b>

- Attaches to bottom of existing tray
- Shipped with required hardware



● Green = Fastest shipped items    ● Black = Normal lead-time items    ● Red = Normally long lead-time items