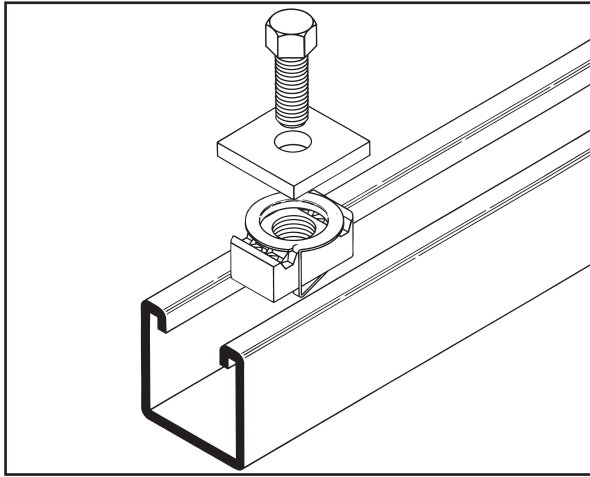


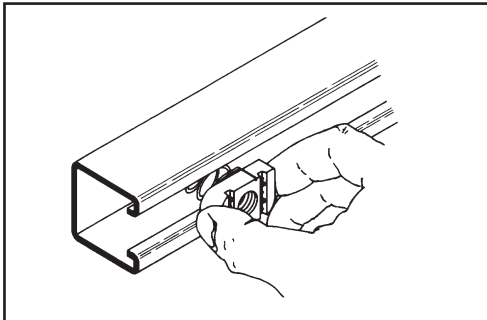
# Introduction

Cooper B-Line's metal framing support system is designed with many time-saving features. They are fully adjustable and reusable, with a complete line of channels, fittings and accessories for multi-purpose applications.

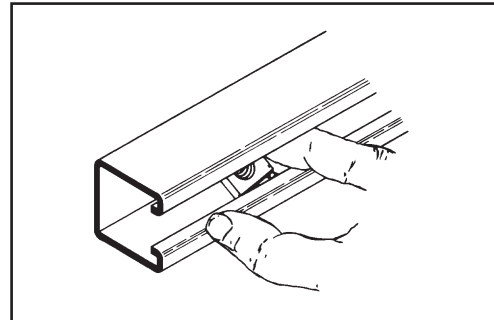


- No Welding
- No Drilling
- Use Your Imagination

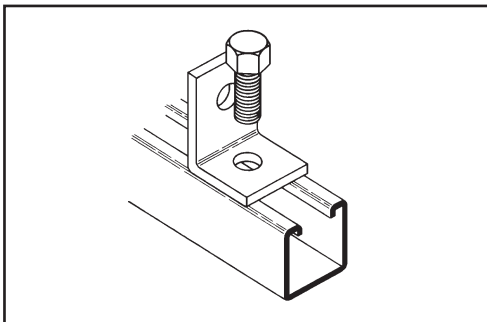
Cooper B-Line's metal framing installs quickly. There is no need for special tools. All you need is a wrench and hacksaw. Channels and parts can be taken apart for reuse as quickly as they were assembled, yet they provide the strength of welded construction. Eliminating welding and drilling produces substantial savings in time and labor.



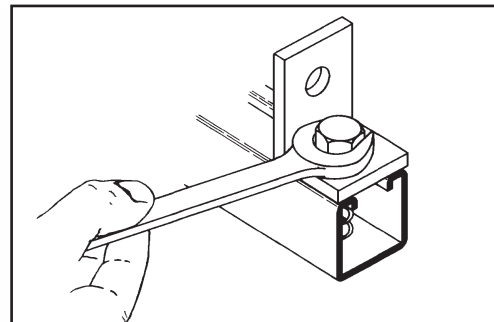
1. Tite-Grip channel nut may be inserted anywhere along continuous slot. Designed for easy insertion and self-alignment.



2. A 90° turn aligns channel nut grooves with inturned lips of the channel.



3. Position fitting over channel nut and insert bolt to start any connection.

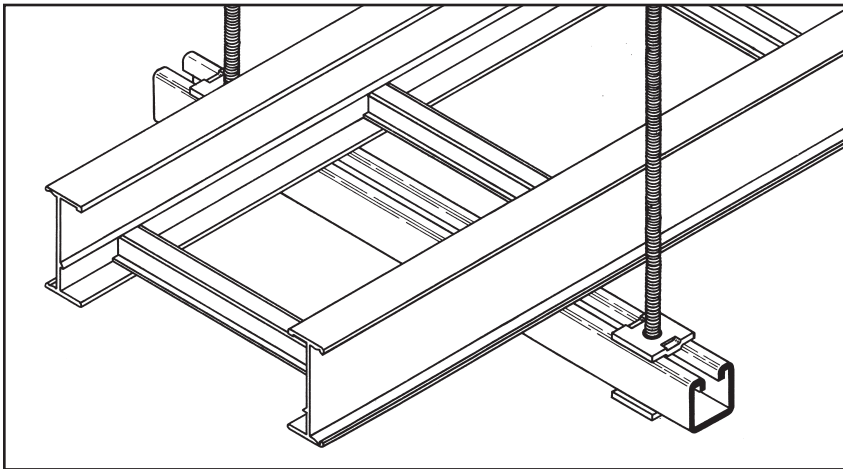
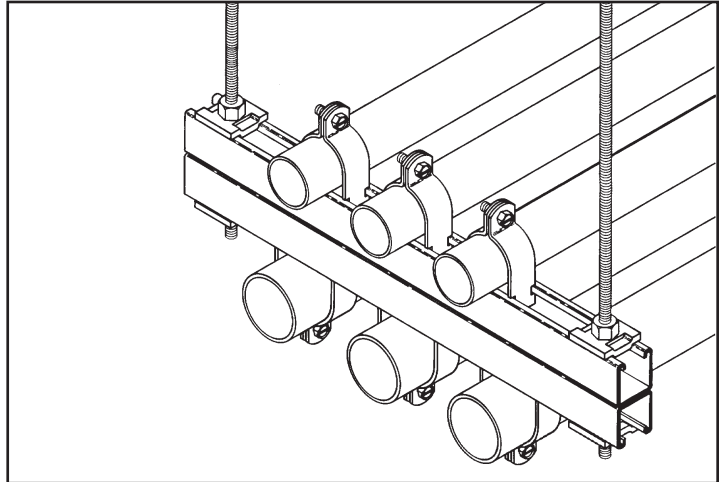


4. With the twist of a wrench, channel nut locks its teeth firmly against inturned lips.

Cooper B-Line's Metal Framing system provides an economical solution for electrical, mechanical and industrial supports with an unlimited variety of applications in the construction industry.

## Metal Framing Electrical Applications

- Lighting Fixture Supports
- Raceway Systems
- Trapeze Hangers
- Pipe & Conduit Supports
- Cable Tray Supports
- Beam Adjustments



## Metal Framing Mechanical Applications

- Piping Racks
- Tunnel Pipe Stanchions
- Concrete Inserts
- Beam Attachments
- Pipe Risers

## Metal Framing Industrial Applications

- Racks and Shelving
- Partitions
- Production Line Supports
- Trolley Systems
- Wall Framing

