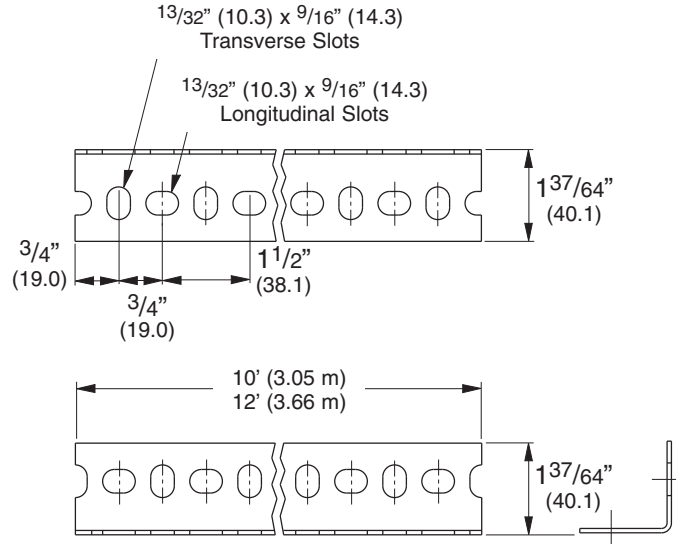
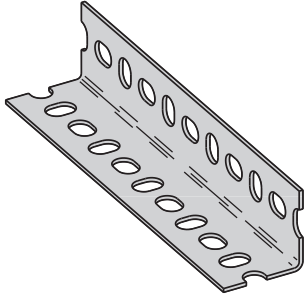


Slotted Angle Sizes

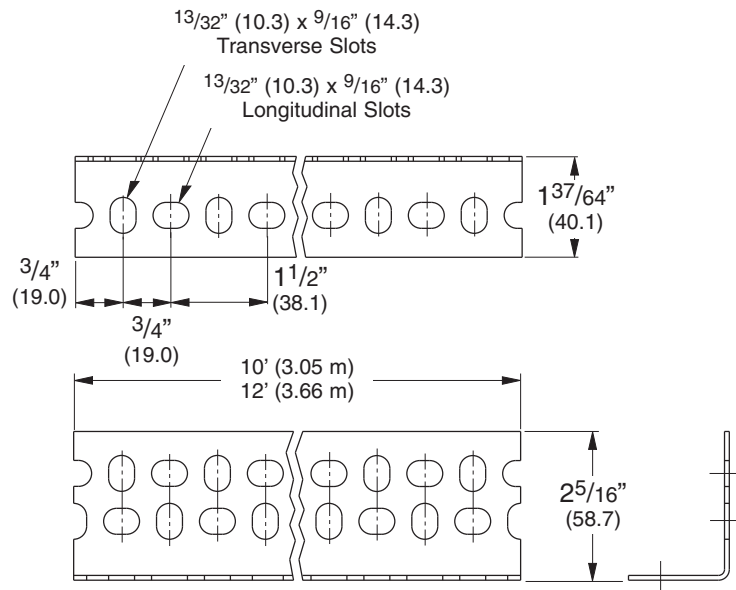
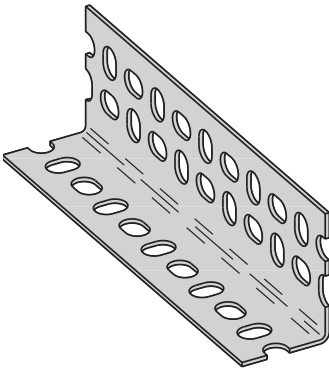
SA158

- 14 Gauge (1.9)
- 1⁵/₈" x 1⁵/₈"
- Standard finishes: ZN, GRN
- Wt./Ft. .66 Lbs. (.98 kg/m)



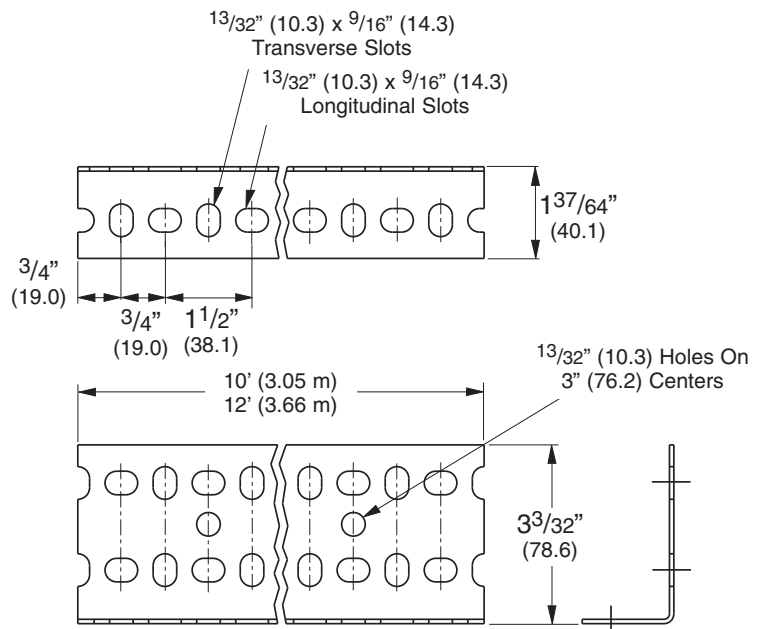
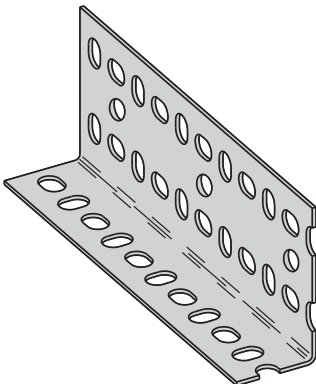
SA276

- 14 Gauge (1.9)
- 1⁵/₈" x 2³/₈"
- Standard finishes: ZN, GRN
- Wt./Ft. .78 Lbs. (1.17 kg/m)



SA318

- 12 Gauge (2.6)
- 1⁵/₈" x 3¹/₈"
- Standard finishes: ZN, GRN
- Wt./Ft. 1.32 Lbs. (1.96 kg/m)



Reference page 222 for general fitting and standard finish specifications.