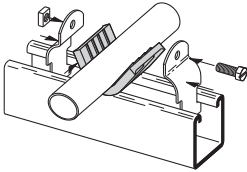


B1999 VIBRA CUSHION™

- Packaged 20 Ft. (6.09 m) per carton
- Ideal Isolation Material
- Inhibits Galvanic Corrosion
- Dampens Sound and Vibrations
- Service Temperature Range
-75°F (-60°C) to +375°F (+199°C)
- Wt./Carton 3.8 Lbs. (1.7 kg)



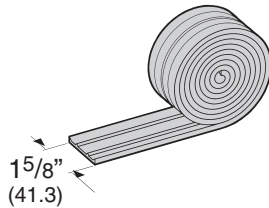
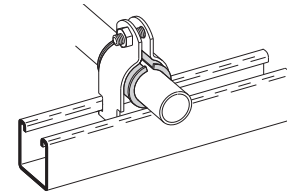
FOR RIGID CONDUIT OR IRON PIPE

Nominal Size	Length of Vibra-Cushion	Use Clamp No.
3/8"	(10) 2 1/8" (54.0)	B2002
1/2"	(15) 2 5/8" (66.7)	B2009
3/4"	(20) 3 1/4" (82.5)	B2031
1"	(25) 4 1/8" (104.8)	B2004
1 1/4"	(32) 5 3/16" (131.8)	B2012
1 1/2"	(40) 5 15/16" (150.8)	B2038
2"	(50) 7 1/2" (190.5)	B2042
2 1/2"	(65) 9" (228.6)	B2046
3"	(80) 11" (279.4)	B2051
3 1/2"	(90) 12 1/2" (317.5)	B2055
4"	(100) 14 1/2" (368.3)	B2059
5"	(125) 17 7/16" (442.9)	B2067
6"	(150) 20 3/4" (527.0)	B2116

FEATURES

Vibra Cushion™ is designed for use with refrigeration lines, HVAC, copper tubing, glass pipe and hydraulic lines. It provides an energy-absorption barrier between the lines and the mounting material and remains flexible thru its entire service range of -75°F (-60°C) to +375°F (+199°C).

This elastomer allows for expansion and contraction within the mounting system and prevents galvanic reaction between dissimilar metals.



FOR THINWALL (EMT) CONDUIT

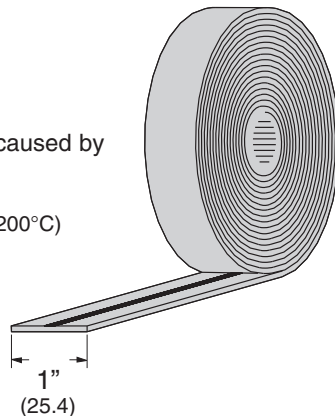
Nominal Size	Length of Vibra-Cushion	Use Clamp No.
3/8"	(10) 1 13/16" (46.0)	B2027
1/2"	(15) 2 13/16" (58.7)	B2002
3/4"	(20) 2 7/8" (73.0)	B2003
1"	(25) 3 5/8" (92.1)	B2032
1 1/4"	(32) 4 3/8" (120.6)	B2036
1 1/2"	(40) 5 7/16" (138.1)	B2012
2"	(50) 6 7/8" (174.6)	B2013

FOR COPPER TUBING TYPE L & K

Nominal Size	Length of Vibra-Cushion	Use Clamp No.
1/4"	(6) 1 3/16" (30.2)	B2026
3/8"	(10) 1 9/16" (39.7)	B2027
1/2"	(15) 1 7/8" (47.6)	B2008
5/8"	(17) 2 5/16" (58.7)	B2029
3/4"	(20) 2 3/4" (69.8)	B2030
1"	(25) 3 1/2" (88.9)	B2032
1 1/4"	(32) 4 5/16" (109.5)	B2011
1 1/2"	(40) 5 1/8" (130.2)	B2036
2"	(50) 6 11/16" (169.9)	B2013
2 1/2"	(65) 8 1/4" (209.5)	B2014
3"	(80) 9 13/16" (249.2)	B2048
3 1/2"	(90) 11 3/8" (288.9)	B2052
4"	(100) 12 15/16" (328.6)	B2056
5"	(125) 16 1/8" (409.6)	B2064
6"	(150) 19 1/4" (488.9)	B2112
8"	(200) 25 1/2" (647.7)	B2128

ISO PIPE

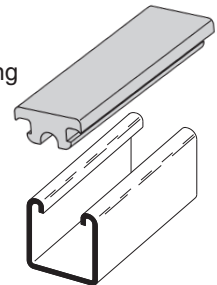
- Non-adhesive rubber tape
- Fuses to itself
- Water resistant
- Ideal Isolation Material
- Prevents galvanic reaction caused by dissimilar metal contact
- Temperature Range
-140°F (-60°C) to +395°F (+200°C)



Part No.	Thickness		Ft./Roll	
	In.	mm	Ft.	m
ISO	.020	(0.5)	36	(11)

BVS Type - Vibra Strip™ for 1 5/8" (41.3) wide B-Line channel

- Fits securely in 1 5/8" wide channel
- Temperature range: -20°F to 212°F
- Ideal Isolation & Vibration Dampening Qualities
- 45 durometer hardness
- Material: Neoprene



Part No.	Max. Load Lbs. per Lineal In.	Length	Std. Pkg.	Wt. Each
	Lbs. kg/25.4 mm			Lbs. kg
BVS-12	40 (18.1)	12" (304.8)	25	.46 (.21)
BVS-120	40 (18.1)	120" (3048.0)	25	4.60 (2.08)

Reference page 126 for general fitting and standard finish specifications.