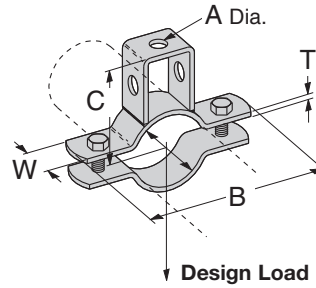


Pipe Hangers

B386 SERIES SUSPENSION ROD PIPE STRAP

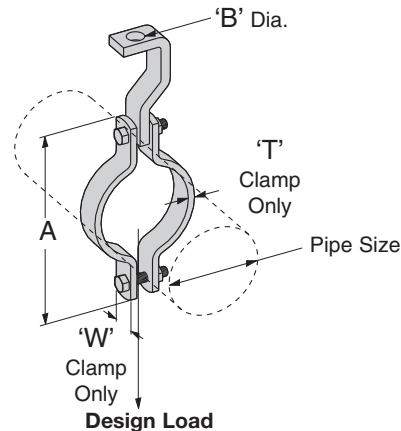
- Safety Factor of 3
- Includes Hex Head Cap Screws and Hex Nuts
- Standard finishes: ZN, GRN



Part No.	Pipe Size		A		B		C		T		W		Design Load		Wt./C	
	in	mm	in	mm	in	mm	in	mm	in	mm	in	mm	Lbs.	kN	Lbs.	kg
B386-3/4	3/4"	(20)	7/16"	(11.1)	3 ⁵ / ₁₆ "	(84.1)	2 ³ / ₁₆ "	(55.6)	1/8"	(3.2)	1"	(25.4)	730	(3.25)	46	(20.8)
B386-1	1"	(25)	7/16"	(11.1)	3 ³ / ₄ "	(95.2)	2 ⁵ / ₁₆ "	(58.7)	1/8"	(3.2)	1"	(25.4)	730	(3.25)	51	(23.1)
B386-1 ¹ / ₄	1 ¹ / ₄ "	(32)	7/16"	(11.1)	4"	(101.6)	2 ¹⁷ / ₃₂ "	(64.3)	1/8"	(3.2)	1"	(25.4)	730	(3.25)	52	(23.6)
B386-1 ¹ / ₂	1 ¹ / ₂ "	(40)	7/16"	(11.1)	4 ⁵ / ₁₆ "	(109.5)	2 ¹¹ / ₁₆ "	(68.3)	1/8"	(3.2)	1"	(25.4)	730	(3.25)	54	(24.5)
B386-2	2"	(50)	7/16"	(11.1)	5 ¹ / ₂ "	(139.7)	3 ⁵ / ₁₆ "	(84.1)	1/4"	(6.3)	1"	(25.4)	730	(3.25)	134	(60.8)
B386-2 ¹ / ₂	2 ¹ / ₂ "	(65)	9/16"	(14.3)	6 ³ / ₈ "	(161.9)	3 ¹ / ₂ "	(88.9)	1/4"	(6.3)	1"	(25.4)	1350	(6.00)	157	(71.2)
B386-3	3"	(80)	9/16"	(14.3)	7"	(177.8)	3 ⁷ / ₈ "	(98.4)	1/4"	(6.3)	1"	(25.4)	1350	(6.00)	168	(76.2)
B386-3 ¹ / ₂	3 ¹ / ₂ "	(90)	9/16"	(14.3)	7 ⁹ / ₁₆ "	(192.1)	4 ¹ / ₈ "	(104.8)	1/4"	(6.3)	1"	(25.4)	1350	(6.00)	197	(89.3)
B386-4	4"	(100)	9/16"	(14.3)	8 ⁵ / ₈ "	(219.1)	4 ³ / ₈ "	(111.1)	1/4"	(6.3)	1 ¹ / ₄ "	(31.7)	1350	(6.00)	270	(122.4)
B386-5	5"	(125)	1 ¹ / ₁₆ "	(17.4)	9 ³ / ₄ "	(247.6)	5 ³ / ₁₆ "	(131.8)	1/4"	(6.3)	1 ¹ / ₄ "	(31.7)	2160	(9.61)	308	(139.7)
B386-6	6"	(150)	1 ¹ / ₁₆ "	(17.4)	11 ⁵ / ₈ "	(295.3)	6 ¹ / ₁₆ "	(154.0)	3/8"	(9.5)	1 ¹ / ₂ "	(38.1)	2160	(9.61)	609	(276.4)
B386-8	8"	(200)	1 ³ / ₁₆ "	(20.6)	13 ⁷ / ₈ "	(352.4)	7 ¹ / ₈ "	(181.0)	3/8"	(9.5)	1 ¹ / ₂ "	(38.1)	3230	(14.37)	713	(323.4)

B394 SERIES PIPE STRAP

- Safety Factor of 3
- Includes:
 - 1 Pair Pipe Clamps with Hex Head Cap Screws and Hex Nuts
 - 1 Hanger Strap
- Standard finishes: ZN



Part No.	Pipe Size		A		B		T		W		Design Load		Wt./C	
	in	mm	in	mm	in	mm	in	mm	in	mm	Lbs.	kN	Lbs.	kg
B394-3/4	3/4"	(20)	3 ⁵ / ₁₆ "	(84.1)	7/16"	(11.1)	1/8"	(3.2)	1"	(25.4)	500	(2.22)	71	(32.2)
B394-1	1"	(25)	3 ³ / ₄ "	(95.2)	7/16"	(11.1)	1/8"	(3.2)	1"	(25.4)	500	(2.22)	76	(34.5)
B394-1 ¹ / ₄	1 ¹ / ₄ "	(32)	4"	(101.6)	7/16"	(11.1)	1/8"	(3.2)	1"	(25.4)	500	(2.22)	77	(34.9)
B394-1 ¹ / ₂	1 ¹ / ₂ "	(40)	4 ⁵ / ₁₆ "	(109.5)	7/16"	(11.1)	1/8"	(3.2)	1"	(25.4)	800	(3.56)	79	(35.8)
B394-2	2"	(50)	5 ¹ / ₂ "	(139.7)	7/16"	(11.1)	1/4"	(6.3)	1"	(25.4)	1040	(4.62)	166	(75.3)
B394-2 ¹ / ₂	2 ¹ / ₂ "	(65)	6 ³ / ₈ "	(161.9)	9/16"	(14.3)	1/4"	(6.3)	1"	(25.4)	1040	(4.62)	179	(81.2)
B394-3	3"	(80)	7"	(177.8)	9/16"	(14.3)	1/4"	(6.3)	1"	(25.4)	1040	(4.62)	190	(86.2)
B394-3 ¹ / ₂	3 ¹ / ₂ "	(90)	7 ⁹ / ₁₆ "	(192.1)	9/16"	(14.3)	1/4"	(6.3)	1"	(25.4)	1040	(4.62)	203	(92.1)
B394-4	4"	(100)	8 ⁵ / ₈ "	(219.1)	1 ¹ / ₁₆ "	(17.4)	1/4"	(6.3)	1 ¹ / ₄ "	(31.7)	1040	(4.62)	320	(145.1)
B394-5	5"	(125)	9 ³ / ₄ "	(247.6)	1 ¹ / ₁₆ "	(17.4)	1/4"	(6.3)	1 ¹ / ₄ "	(31.7)	1040	(4.62)	353	(160.1)
B394-6	6"	(150)	11 ⁵ / ₈ "	(295.3)	1 ³ / ₁₆ "	(20.6)	3/8"	(9.5)	1 ¹ / ₂ "	(38.1)	1615	(7.18)	637	(288.9)
B394-8	8"	(200)	13 ⁷ / ₈ "	(352.4)	1 ³ / ₁₆ "	(20.6)	3/8"	(9.5)	1 ¹ / ₂ "	(38.1)	1615	(7.18)	837	(379.6)

Reference page 126 for general fitting and standard finish specifications.