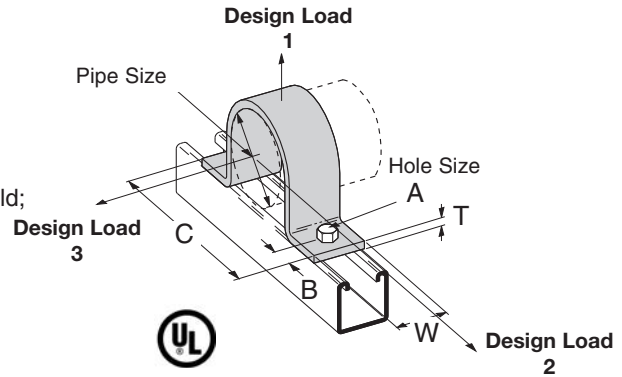


Pipe Clamps

B2400 SERIES STANDARD PIPE STRAP

- Safety Factor of 5
- B2400-3/4 thru B2400-8 are UL listed
- Order hardware separately
- Other sizes available upon request
- Material: Sizes - 1/2" - 1 1/2", ASTM A1011 33,000 PSI min. yield;
2" - 12", ASTM A1018 33,000 PSI min. yield;
14"-Larger, ASTM A36
- Standard finish: ZN
- Ductile Iron Sizes Available
- Meets requirements of MSS SP-58 & SP-69 Type 26



| Part No. | Pipe Size | | A | | B | | C | | T | | W | |
|-------------|-----------|-------|---------|--------|---------|--------|------------------------------------|---------|--------|--------|---------------------------------|--------|
| B2400-1/2 | 1/2" | (15) | 5/16" | (7.9) | 7/16" | (11.1) | 2 ¹³ / ₁₆ " | (71.4) | 10 Ga. | (3.4) | 1 ⁵ / ₈ " | (41.3) |
| B2400-3/4 | 3/4" | (20) | 5/16" | (7.9) | 7/16" | (11.1) | 3" | (76.2) | 10 Ga. | (3.4) | 1 ⁵ / ₈ " | (41.3) |
| B2400-1 | 1" | (25) | 5/16" | (7.9) | 7/16" | (11.1) | 3 ¹⁷ / ₃₂ " | (89.7) | 10 Ga. | (3.4) | 1 ⁵ / ₈ " | (41.3) |
| B2400-1 1/4 | 1 1/4" | (32) | 5/16" | (7.9) | 7/16" | (11.1) | 3 3/4" | (95.2) | 10 Ga. | (3.4) | 1 ⁵ / ₈ " | (41.3) |
| B2400-1 1/2 | 1 1/2" | (40) | 5/16" | (7.9) | 7/16" | (11.1) | 4 1/16" | (103.2) | 10 Ga. | (3.4) | 1 ⁵ / ₈ " | (41.3) |
| B2400-2 | 2" | (50) | 7/16" | (11.1) | 1 1/16" | (17.4) | 5 ²¹ / ₃₂ " | (143.6) | 1/4" | (6.3) | 1 ⁵ / ₈ " | (41.3) |
| B2400-2 1/2 | 2 1/2" | (65) | 7/16" | (11.1) | 1 1/16" | (17.4) | 6 ⁵ / ₃₂ " | (156.3) | 1/4" | (6.3) | 1 ⁵ / ₈ " | (41.3) |
| B2400-3 | 3" | (80) | 7/16" | (11.1) | 1 1/16" | (17.4) | 6 ²⁵ / ₃₂ " | (172.2) | 1/4" | (6.3) | 1 ⁵ / ₈ " | (41.3) |
| B2400-3 1/2 | 3 1/2" | (90) | 7/16" | (11.1) | 1 1/16" | (17.4) | 7 ⁹ / ₃₂ " | (184.9) | 1/4" | (6.3) | 1 ⁵ / ₈ " | (41.3) |
| B2400-4 | 4" | (100) | 9/16" | (14.3) | 1 1/16" | (17.4) | 7 ²⁵ / ₃₂ " | (197.6) | 1/4" | (6.3) | 1 ⁵ / ₈ " | (41.3) |
| B2400-5 | 5" | (125) | 9/16" | (14.3) | 1 1/16" | (17.4) | 8 ⁷ / ₈ " | (225.4) | 1/4" | (6.3) | 1 ⁵ / ₈ " | (41.3) |
| B2400-6 | 6" | (150) | 9/16" | (14.3) | 1 1/16" | (17.4) | 9 ¹⁵ / ₁₆ " | (252.4) | 1/4" | (6.3) | 1 ⁵ / ₈ " | (41.3) |
| B2400-8 | 8" | (200) | 9/16" | (14.3) | 1 1/16" | (17.4) | 11 ³¹ / ₃₂ " | (304.0) | 1/4" | (6.3) | 1 ⁵ / ₈ " | (41.3) |
| B2400-10 | 10" | (250) | 9/16" | (14.3) | 1 1/16" | (17.4) | 14" | (355.6) | 1/4" | (6.3) | 1 ⁵ / ₈ " | (41.3) |
| B2400-12 | 12" | (300) | 9/16" | (14.3) | 1 1/16" | (17.4) | 16" | (406.4) | 1/4" | (6.3) | 1 ⁵ / ₈ " | (41.3) |
| B2400-14 | 14" | (350) | 1 5/16" | (23.8) | 1 1/2" | (38.1) | 20 ³ / ₄ " | (527.0) | 3/8" | (9.5) | 1 3/4" | (44.4) |
| B2400-16 | 16" | (400) | 1 5/16" | (23.8) | 1 1/2" | (38.1) | 22 ³ / ₄ " | (577.8) | 3/8" | (9.5) | 1 3/4" | (44.4) |
| B2400-18 | 18" | (460) | 1 5/16" | (23.8) | 1 3/4" | (44.4) | 27" | (685.8) | 1/2" | (12.7) | 1 3/4" | (44.4) |
| B2400-20 | 20" | (510) | 1 5/16" | (23.8) | 1 3/4" | (44.4) | 29" | (736.6) | 1/2" | (12.7) | 1 3/4" | (44.4) |
| B2400-24 | 24" | (610) | 1 5/16" | (23.8) | 1 3/4" | (44.4) | 33" | (838.2) | 1/2" | (12.7) | 1 3/4" | (44.4) |

| Part No. | Design Load 1 | | Design Load 2 | | Design Load 3 | | Wt./C | |
|-------------|---------------|--------|---------------|--------|---------------|--------|-------|---------|
| | Lbs. | kN | Lbs. | kN | Lbs. | kN | Lbs. | kg |
| B2400-1/2 | 600 | (2.67) | 150 | (.67) | 105 | (.47) | 23 | (10.4) |
| B2400-3/4 | 600 | (2.67) | 150 | (.67) | 105 | (.47) | 26 | (11.8) |
| B2400-1 | 600 | (2.67) | 150 | (.67) | 120 | (.53) | 31 | (14.0) |
| B2400-1 1/4 | 600 | (2.67) | 150 | (.67) | 120 | (.53) | 36 | (16.3) |
| B2400-1 1/2 | 600 | (2.67) | 150 | (.67) | 120 | (.53) | 39 | (17.7) |
| B2400-2 | 1200 | (5.34) | 480 | (2.14) | 180 | (.80) | 93 | (42.2) |
| B2400-2 1/2 | 1200 | (5.34) | 480 | (2.14) | 180 | (.80) | 106 | (48.1) |
| B2400-3 | 1200 | (5.34) | 480 | (2.14) | 300 | (1.33) | 132 | (59.9) |
| B2400-3 1/2 | 1200 | (5.34) | 480 | (2.14) | 300 | (1.33) | 151 | (68.5) |
| B2400-4 | 1500 | (6.67) | 600 | (2.67) | 450 | (2.00) | 160 | (72.6) |
| B2400-5 | 1500 | (6.67) | 600 | (2.67) | 450 | (2.00) | 192 | (87.1) |
| B2400-6 | 1500 | (6.67) | 600 | (2.67) | 450 | (2.00) | 219 | (99.3) |
| B2400-8 | 2000 | (8.90) | 800 | (3.56) | 600 | (2.67) | 297 | (134.7) |
| B2400-10 | 2000 | (8.90) | 800 | (3.56) | 600 | (2.67) | 465 | (210.9) |
| B2400-12 | 2000 | (8.90) | 800 | (3.56) | 600 | (2.67) | 560 | (254.0) |
| B2400-14 | 2000 | (8.90) | 800 | (3.56) | 600 | (2.67) | 761 | (345.2) |
| B2400-16 | 2000 | (8.90) | 800 | (3.56) | 600 | (2.67) | 861 | (390.5) |
| B2400-18 | 2000 | (8.90) | 800 | (3.56) | 600 | (2.67) | 1297 | (588.3) |
| B2400-20 | 2000 | (8.90) | 800 | (3.56) | 600 | (2.67) | 1426 | (646.8) |
| B2400-24 | 2000 | (8.90) | 800 | (3.56) | 600 | (2.67) | 1682 | (762.9) |

Reference page 126 for general fitting and standard finish specifications.