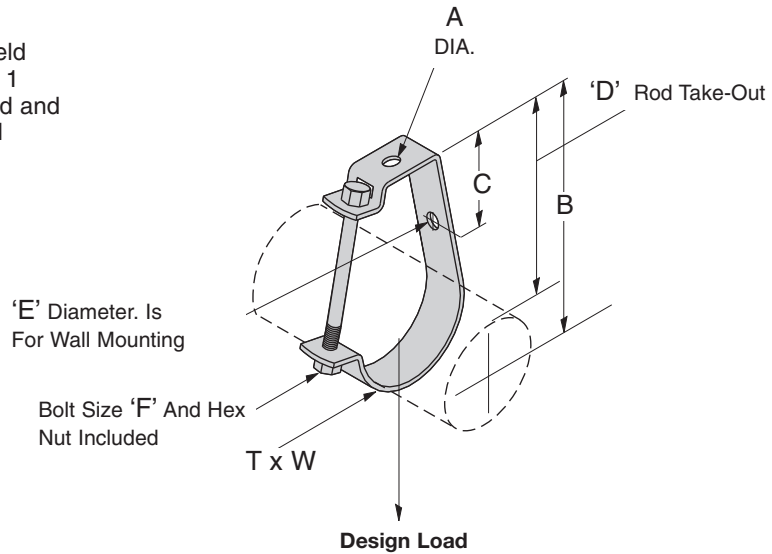
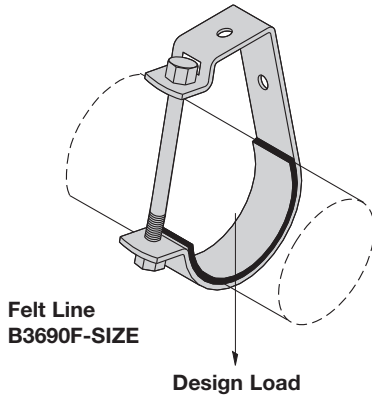


B3690 SERIES ADJUSTABLE J HANGER

- Safety Factor of 5
- Material:
 - 12 Ga. (2.6) ASTM A1011 33,000 PSI min. yield
 - 11 Ga. (3.0) ASTM A1011 HSLA Gr. 50 Class 1
 - 7 Ga. (4.5) ASTM A1011 33,000 PSI min. yield and 1/4" (6.3) ASTM A1018 33,000 PSI min. yield
- Standard finish: ZN



Part No.	Pipe or Conduit Size		A		B		C		D		E		F
B3690-1/2	1/2"	(15)	13/32"	(10.3)	23/32"	(53.2)	1"	(25.4)	1 11/16"	(42.5)	13/32"	(10.3)	1/4"-20 x 2 1/4"
B3690-3/4	3/4"	(20)	13/32"	(10.3)	2 11/32"	(59.5)	1"	(25.4)	1 13/16"	(46.2)	13/32"	(10.3)	1/4"-20 x 2 1/2"
B3690-1	1"	(25)	13/32"	(10.3)	2 19/32"	(65.9)	1"	(25.4)	1 15/16"	(49.2)	13/32"	(10.3)	1/4"-20 x 2 3/4"
B3690-1 1/4	1 1/4"	(32)	13/32"	(10.3)	2 13/16"	(71.4)	1"	(25.4)	2"	(50.4)	13/32"	(10.3)	1/4"-20 x 3"
B3690-1 1/2	1 1/2"	(40)	13/32"	(10.3)	3 1/16"	(77.8)	1"	(25.4)	2 1/8"	(53.7)	13/32"	(10.3)	1/4"-20 x 3 1/4"
B3690-2	2"	(50)	13/32"	(10.3)	3 1/2"	(88.9)	1"	(25.4)	2 5/16"	(58.7)	13/32"	(10.3)	1/4"-20 x 3 1/2"
B3690-2 1/2	2 1/2"	(65)	9/16"	(14.3)	4 7/16"	(112.7)	1"	(25.4)	3"	(76.2)	9/16"	(14.3)	3/8"-16 x 4 1/2"
B3690-3	3"	(80)	9/16"	(14.3)	4 7/8"	(123.8)	1"	(25.4)	3 1/8"	(79.4)	9/16"	(14.3)	3/8"-16 x 5"
B3690-3 1/2	3 1/2"	(90)	9/16"	(14.3)	5 3/16"	(131.8)	1"	(25.4)	3 3/16"	(81.0)	9/16"	(14.3)	3/8"-16 x 5 1/2"
B3690-4	4"	(100)	1 1/16"	(17.5)	6 1/8"	(155.6)	1 1/4"	(31.8)	3 7/8"	(98.4)	9/16"	(14.3)	3/8"-16 x 6 1/2"
B3690-5	5"	(125)	1 1/16"	(17.5)	6 3/4"	(171.4)	1 1/2"	(38.1)	4"	(100.8)	9/16"	(14.3)	3/8"-16 x 7 1/2"
B3690-6	6"	(150)	1 3/16"	(20.6)	7 3/4"	(196.8)	1 3/16"	(30.2)	4 7/16"	(112.7)	9/16"	(14.3)	3/8"-16 x 8 1/2"
B3690-8	8"	(200)	1 3/16"	(20.6)	9 1/4"	(235.0)	1"	(25.4)	4 15/16"	(125.4)	9/16"	(14.3)	3/8"-16 x 10 1/2"

Part No.	T	W	Design Load		Wt./C	
			Lbs.	kN	Lbs.	kg
B3690-1/2	12 Ga. (2.6)	3/4" (19.0)	400	(1.78)	20	(9.1)
B3690-3/4	12 Ga. (2.6)	3/4" (19.0)	400	(1.78)	23	(10.4)
B3690-1	12 Ga. (2.6)	3/4" (19.0)	400	(1.78)	24	(10.9)
B3690-1 1/4	12 Ga. (2.6)	3/4" (19.0)	400	(1.78)	27	(12.2)
B3690-1 1/2	12 Ga. (2.6)	3/4" (19.0)	400	(1.78)	29	(13.1)
B3690-2	12 Ga. (2.6)	3/4" (19.0)	400	(1.78)	32	(14.5)
B3690-2 1/2	11 Ga. (3.0)	1 1/4" (31.7)	800	(3.56)	71	(32.2)
B3690-3	11 Ga. (3.0)	1 1/4" (31.7)	800	(3.56)	77	(34.9)
B3690-3 1/2	11 Ga. (3.0)	1 1/4" (31.7)	800	(3.56)	84	(38.1)
B3690-4	7 Ga. (4.5)	1 1/4" (31.7)	800	(3.56)	139	(63.0)
B3690-5	7 Ga. (4.5)	1 1/4" (31.7)	800	(3.56)	166	(75.3)
B3690-6	1/4" (6.3)	1 1/4" (31.7)	1000	(4.45)	226	(102.5)
B3690-8	1/4" (6.3)	1 1/2" (38.1)	1200	(5.34)	332	(150.6)

Reference page 126 for general fitting and standard finish specifications.