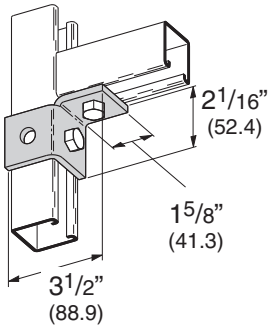


Wing Fittings

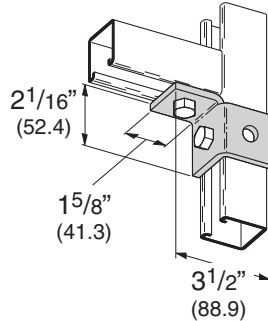
B267R THREE HOLE SINGLE CORNER CONNECTION (RIGHT HAND)

- Standard finishes: ZN, GRN
- Wt./C 54 Lbs. (24.5 kg)



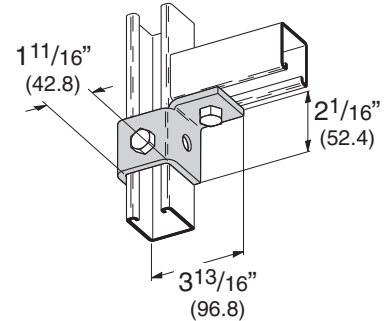
B267L THREE HOLE SINGLE CORNER CONNECTION (LEFT HAND)

- Standard finishes: ZN, GRN
- Wt./C 54 Lbs. (24.5 kg)



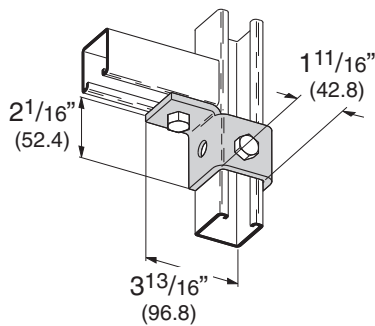
B270R FOUR HOLE SINGLE CORNER CONNECTION (RIGHT HAND)

- Standard finishes: ZN, GRN
- Wt./C 77 Lbs. (34.9 kg)



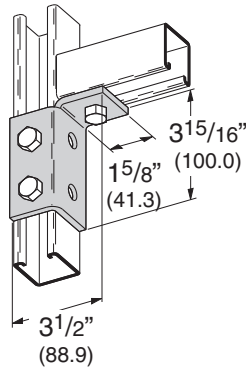
B270L FOUR HOLE SINGLE CORNER CONNECTION (LEFT HAND)

- Standard finishes: ZN, GRN
- Wt./C 77 Lbs. (34.9 kg)



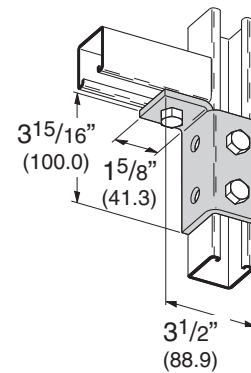
B268R FIVE HOLE SINGLE CORNER CONNECTION (RIGHT HAND)

- Standard finishes: ZN, GRN
- Wt./C 100 Lbs. (45.3 kg)



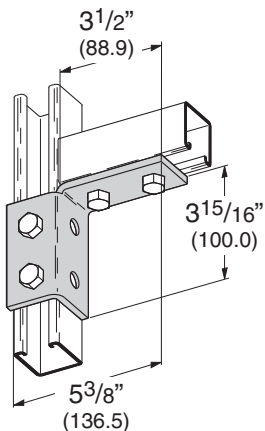
B268L FIVE HOLE SINGLE CORNER CONNECTION (LEFT HAND)

- Standard finishes: ZN, GRN
- Wt./C 100 Lbs. (45.3 kg)



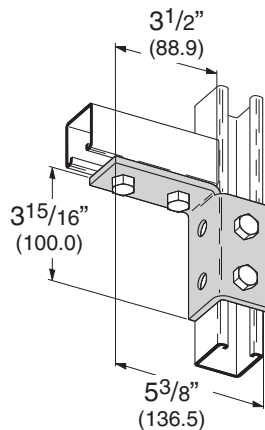
B269R SIX HOLE SINGLE CORNER CONNECTION (RIGHT HAND)

- Standard finishes: ZN, GRN
- Wt./C 120 Lbs. (54.4 kg)



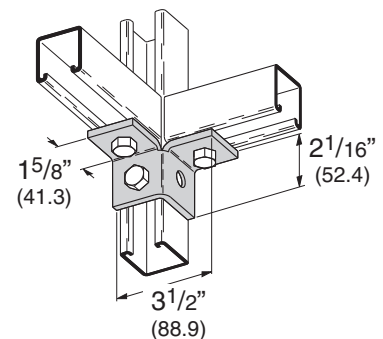
B269L SIX HOLE SINGLE CORNER CONNECTION (LEFT HAND)

- Standard finishes: ZN, GRN
- Wt./C 120 Lbs. (54.4 kg)



B119 FOUR HOLE DOUBLE CORNER CONNECTION

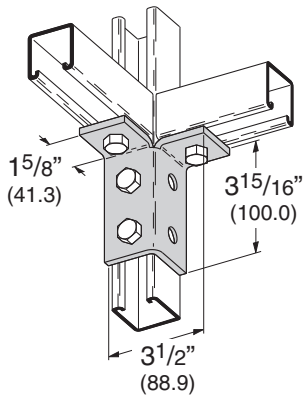
- Standard finishes: ZN, GRN
- Wt./C 71 Lbs. (32.2 kg)



Reference page 72 for general fitting and standard finish specifications.

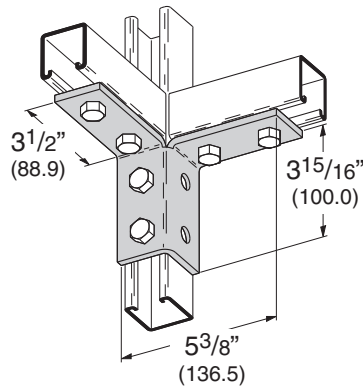
B120 SIX HOLE DOUBLE CORNER CONNECTION

- Standard finishes: ZN, GRN
- Wt./C 110 Lbs. (49.9 kg)



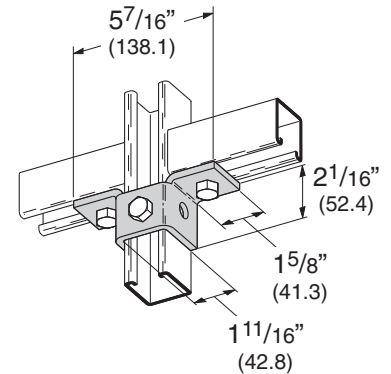
B121 EIGHT HOLE DOUBLE CORNER CONNECTION

- Standard finishes: ZN, GRN
- Wt./C 152 Lbs. (68.9 kg)



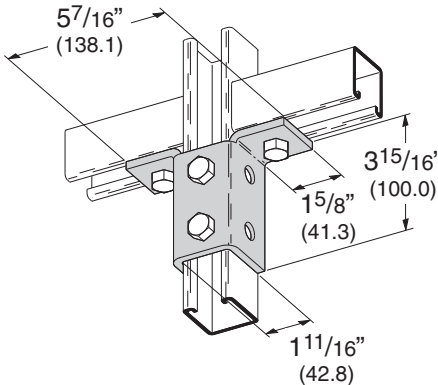
B271 FIVE HOLE DOUBLE WING CONNECTION

- Standard finishes: ZN, GRN
- Wt./C 95 Lbs. (43.1 kg)



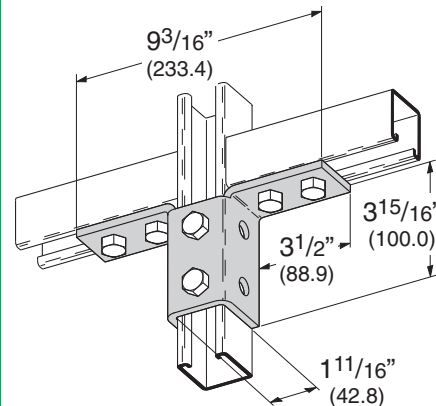
B272 EIGHT HOLE DOUBLE WING CONNECTION

- Standard finishes: ZN, GRN
- Wt./C 156 Lbs. (70.7 kg)



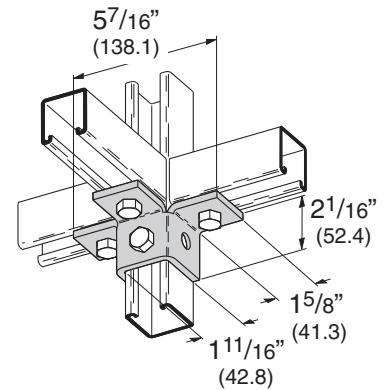
B273 TEN HOLE DOUBLE WING CONNECTION

- Standard finishes: ZN, GRN
- Wt./C 185 Lbs. (83.9 kg)



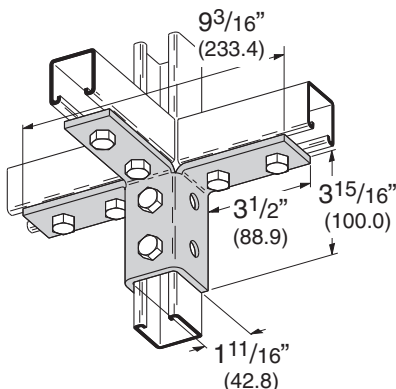
B122 SIX HOLE TRIPLE WING CONNECTION

- Standard finishes: ZN, GRN
- Wt./C 110 Lbs. (49.9 kg)



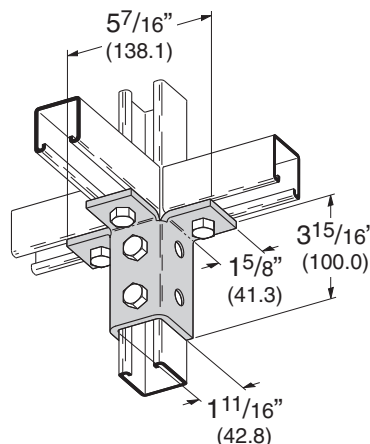
B123 TWELVE HOLE TRIPLE WING CONNECTION

- Standard finishes: ZN, GRN
- Wt./C 234 Lbs. (106.1 kg)



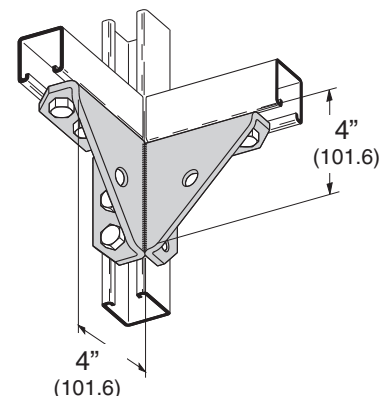
B124 NINE HOLE TRIPLE WING CONNECTION

- Standard finishes: ZN, GRN
- Wt./C 177 Lbs. (80.3 kg)



B276 FOURTEEN HOLE DOUBLE CORNER GUSSETED CONNECTION

- Standard finishes: ZN, GRN
- Wt./C 196 Lbs. (88.9 kg)

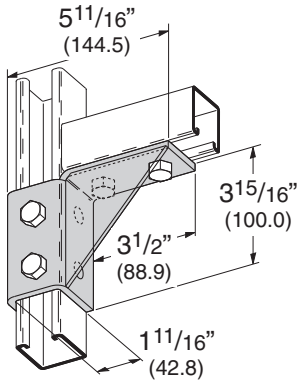


Reference page 72 for general fitting and standard finish specifications.

Wing Fittings

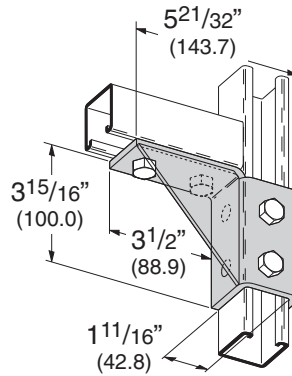
B274R EIGHT HOLE SINGLE CORNER GUSSETED CONNECTION (RIGHT HAND)

- Standard finishes: ZN, GRN
- Wt./C 176 Lbs. (79.8 kg)



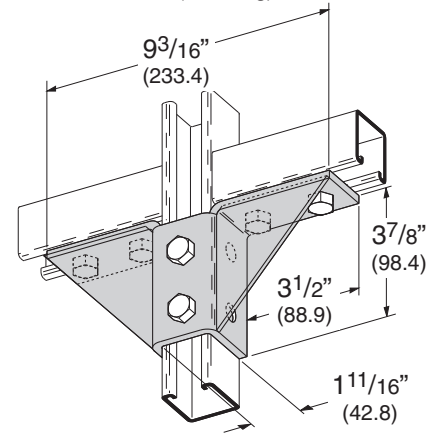
B274L EIGHT HOLE SINGLE CORNER GUSSETED CONNECTION (LEFT HAND)

- Standard finishes: ZN, GRN
- Wt./C 176 Lbs. (79.8 kg)



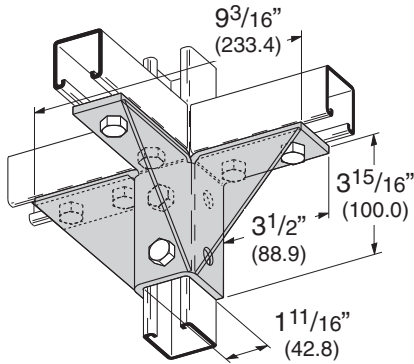
B495 TEN HOLE DOUBLE WING GUSSETED CONNECTION

- Standard finishes: ZN, GRN
- Wt./C 240 Lbs. (108.8 kg)



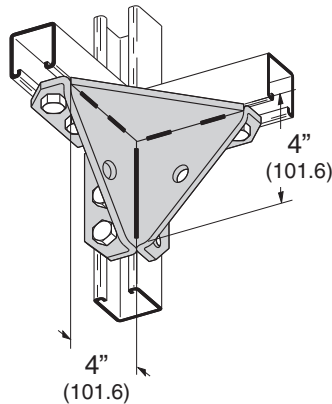
B277 TWELVE HOLE TRIPLE WING GUSSETED CONNECTION

- Standard finishes: ZN, GRN
- Wt./C 285 Lbs. (129.3 kg)



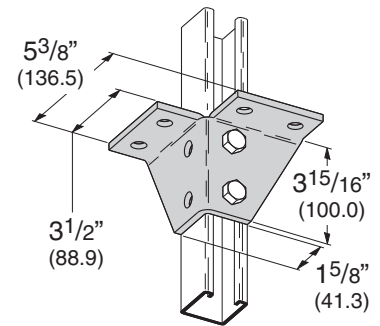
B362 EIGHT HOLE DOUBLE CORNER GUSSETED CONNECTION

- Standard finishes: ZN, GRN
- Wt./C 226 Lbs. (102.5 kg)



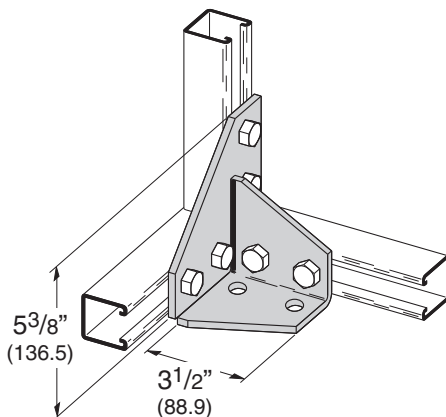
B571 EIGHT HOLE WING CONNECTION

- Standard finishes: ZN, GRN
- Wt./C 201 Lbs. (91.2 kg)



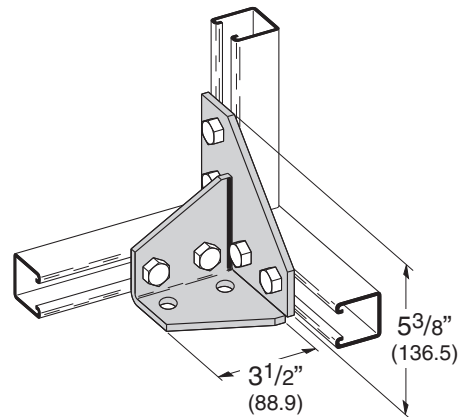
B346L EIGHT HOLE DOUBLE CORNER GUSSETED CONNECTION (LEFT HAND)

- Standard finishes: ZN, GRN
- Wt./C 242 Lbs. (109.8 kg)



B346R EIGHT HOLE DOUBLE CORNER GUSSETED CONNECTION (RIGHT HAND)

- Standard finishes: ZN, GRN
- Wt./C 242 Lbs. (109.8 kg)



Reference page 72 for general fitting and standard finish specifications.