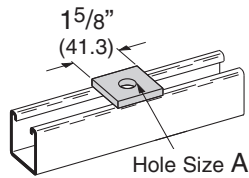


B200-B202-2

- Standard finishes: ZN, GRN, HDG, SS4, SS6, AL

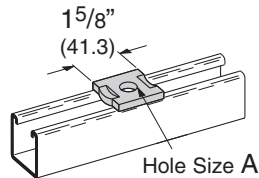


SQUARE WASHER

Part No.	A	(A)	Bolt Size	Wt./C	
				Lbs.	kg
B200	3/8"	(9.5)	5/16" (7.9)	18	(8.1)
B201	7/16"	(11.1)	3/8" (9.5)	18	(8.1)
B202	9/16"	(14.2)	1/2" (12.7)	17	(7.7)
B202-1	11/16"	(17.4)	5/8" (15.9)	16	(7.2)
B202-2	13/16"	(20.6)	3/4" (19.0)	15	(6.8)

B200D-B202-2D

- Standard finishes: ZN, GRN, HDG, SS4, SS6, AL



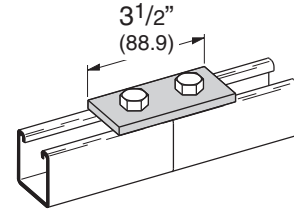
NO TWIST SQUARE WASHER

Part No.	A	(A)	Bolt Size	Wt./C	
				Lbs.	kg
B200D	3/8"	(9.5)	5/16" (7.9)	18	(8.1)
B201D	7/16"	(11.1)	3/8" (9.5)	18	(8.1)
B202D	9/16"	(14.2)	1/2" (12.7)	17	(7.7)
B202-1D	11/16"	(17.4)	5/8" (15.9)	16	(7.2)
B202-2D	13/16"	(20.6)	3/4" (19.0)	15	(6.8)

B129

TWO HOLE SPLICE PLATE

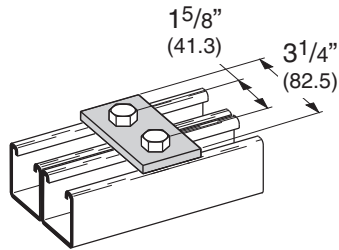
- Standard finishes: ZN, GRN
- Wt./C 37 Lbs. (16.8 kg)



B340

TWO HOLE SPLICE PLATE

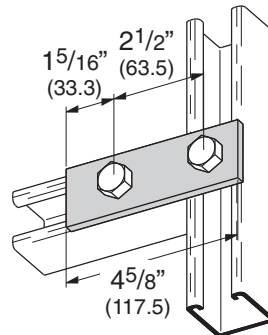
- Standard finishes: ZN, GRN
- Wt./C 34 Lbs. (15.4 kg)



B528

TWO HOLE SPLICE PLATE

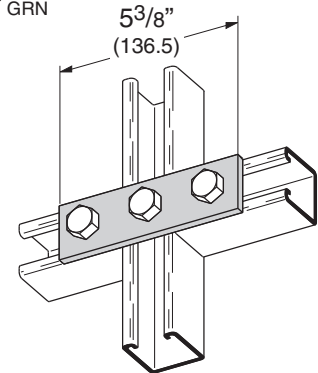
- Standard finishes: ZN, GRN
- Wt./C 50 Lbs. (22.7 kg)



B141

THREE HOLE SPLICE PLATE

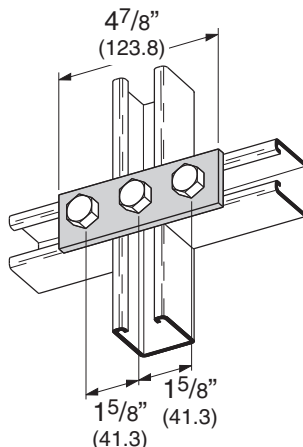
- Standard finishes: ZN, GRN
- Wt./C 55 Lbs. (24.9 kg)



B557

THREE HOLE SPLICE PLATE

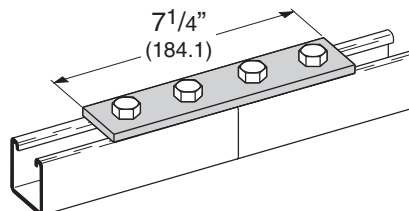
- Standard finishes: ZN, GRN
- Wt./C 50 Lbs. (22.7 kg)



B341

FOUR HOLE SPLICE PLATE

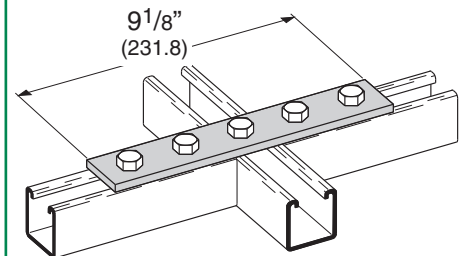
- Standard finishes: ZN, GRN, HDG
- Wt./C 76 Lbs. (34.5 kg)



B342

FIVE HOLE SPLICE PLATE

- Standard finishes: ZN, GRN
- Wt./C 96 Lbs. (43.5 kg)



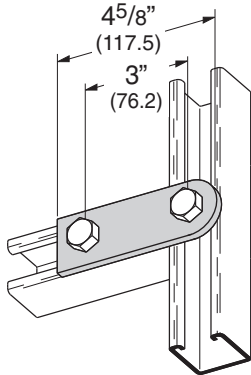
Reference page 72 for general fitting and standard finish specifications.

Preassembled fitting.

Flat Plate Fittings

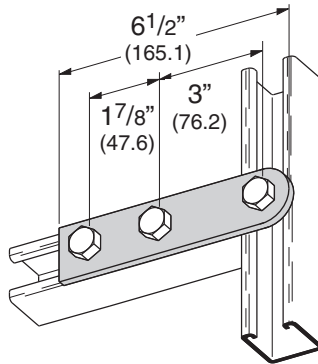
B138 TWO HOLE SWIVEL PLATE

- Standard finishes: ZN, GRN
- Wt./C 48 Lbs. (21.8 kg)



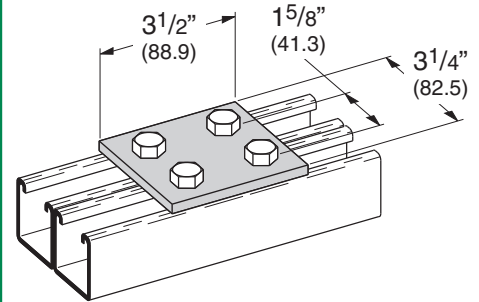
B139 THREE HOLE SWIVEL PLATE

- Standard finishes: ZN, GRN
- Wt./C 69 Lbs. (31.3 kg)



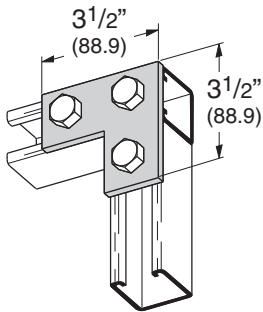
B504 FOUR HOLE SPLICE PLATE

- Standard finishes: ZN, GRN
- Wt./C 73 Lbs. (33.1 kg)



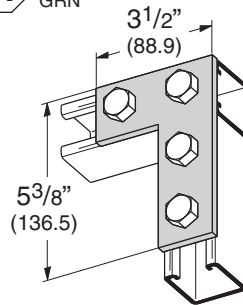
B140 THREE HOLE CORNER PLATE

- Standard finishes: ZN, GRN, HDG, SS4
- Wt./C 56 Lbs. (25.4 kg)



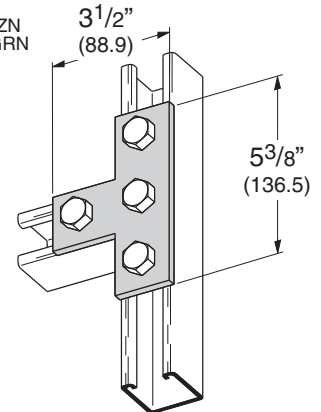
B143 FOUR HOLE CORNER PLATE

- Standard finishes: ZN, GRN, HDG, SS4
- Wt./C 75 Lbs. (34.0 kg)



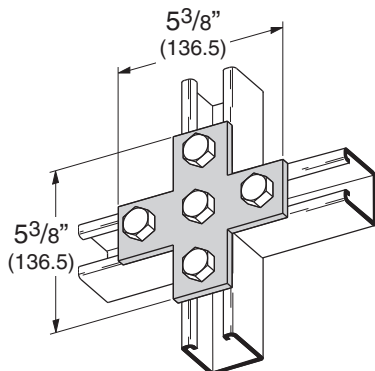
B133 FOUR HOLE TEE PLATE

- Standard finishes: ZN, GRN, HDG, SS4, AL
- Wt./C 75 Lbs. (34.0 kg)



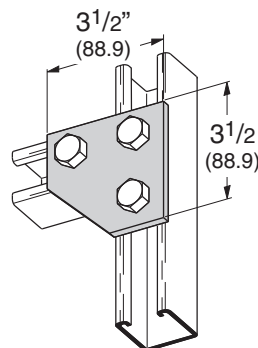
B132 FIVE HOLE CROSS PLATE

- Standard finishes: ZN, GRN, HDG
- Wt./C 100 Lbs. (45.3 kg)



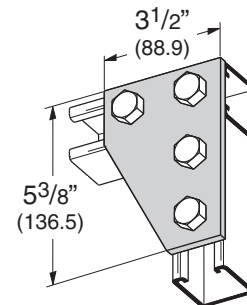
B135 THREE HOLE CORNER GUSSET PLATE

- Standard finishes: ZN, GRN
- Wt./C 70 Lbs. (31.7 kg)



B142 FOUR HOLE CORNER GUSSET PLATE

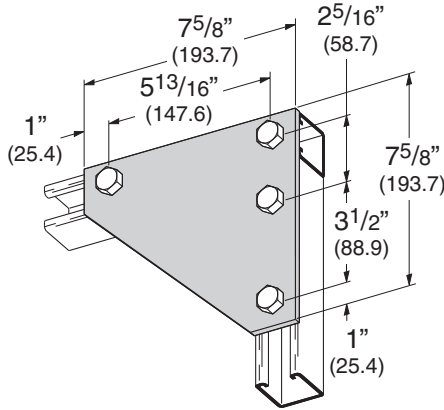
- Standard finishes: ZN, GRN, HDG
- Wt./C 102 Lbs. (46.2 kg)



Preassembled fitting. Reference page 72 for general fitting and standard finish specifications.

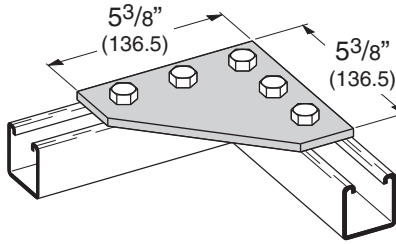
B137
FOUR HOLE CORNER
GUSSET PLATE

- Standard finishes: ZN, GRN
- Wt./C 273 Lbs. (123.8 kg)



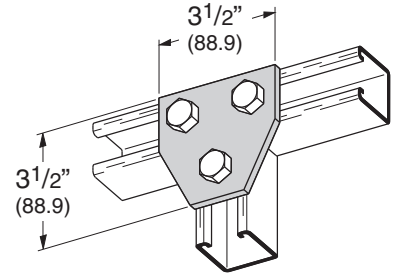
B556
FIVE HOLE CORNER
GUSSET PLATE

- Standard finishes: ZN, GRN
- Wt./C 145 Lbs. (65.8 kg)



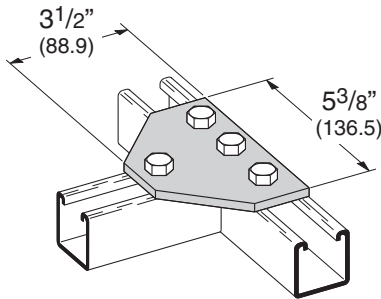
B337
THREE HOLE TEE
GUSSET PLATE

- Standard finishes: ZN, GRN
- Wt./C 70 Lbs. (31.7 kg)



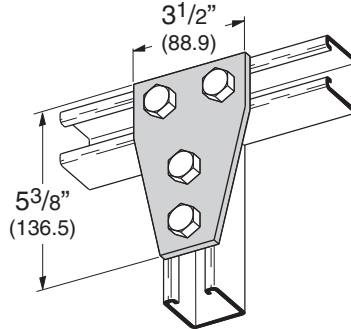
B432
FOUR HOLE TEE
GUSSET PLATE

- Standard finishes: ZN, GRN
- Wt./C 100 Lbs. (45.3 kg)



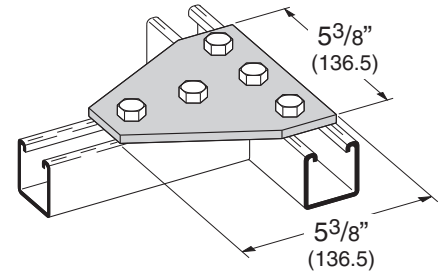
B136
FOUR HOLE TEE
GUSSET PLATE

- Standard finishes: ZN, GRN, HDG
- Wt./C 100 Lbs. (45.3 kg)



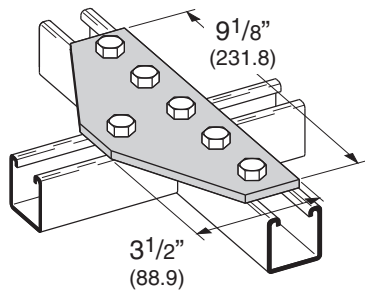
B532
FIVE HOLE TEE
GUSSET PLATE

- Standard finishes: ZN, GRN
- Wt./C 143 Lbs. (64.8 kg)



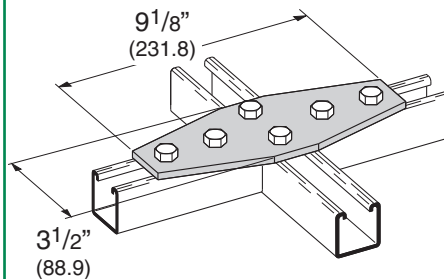
B339
SIX HOLE TEE
GUSSET PLATE

- Standard finishes: ZN, GRN
- Wt./C 149 Lbs. (67.6 kg)



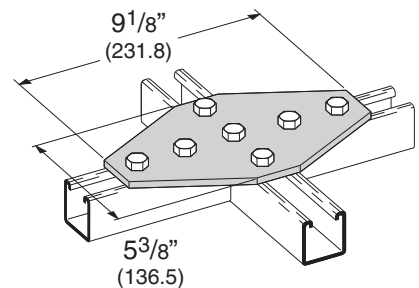
B568
SIX HOLE CROSS
GUSSET
PLATE

- Standard finishes: ZN, GRN
- Wt./C 166 Lbs. (75.3 kg)



B334
SEVEN HOLE CROSS
GUSSET
PLATE

- Standard finishes: ZN, GRN
- Wt./C 232 Lbs. (105.2 kg)



Reference page 72 for general fitting and standard finish specifications.