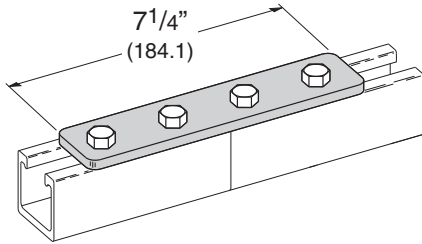


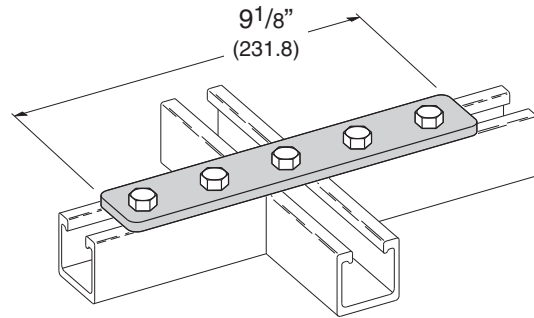
BFV341
FOUR HOLE SPLICE PLATE

- Material: Injection Molded Glass Reinforced Polyurethane



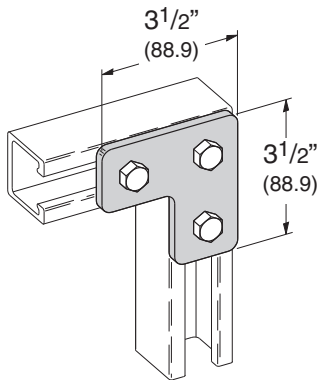
BFV342
FIVE HOLE FLAT PLATE

- Material: Injection Molded Glass Reinforced Polyurethane



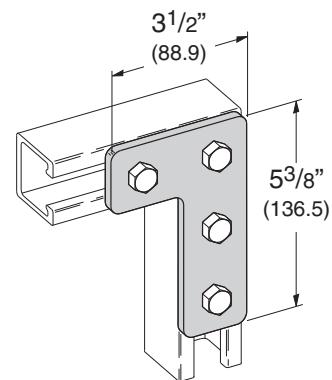
BFV140
THREE HOLE FLAT CORNER PLATE

- Material: Injection Molded Glass Reinforced Polyurethane



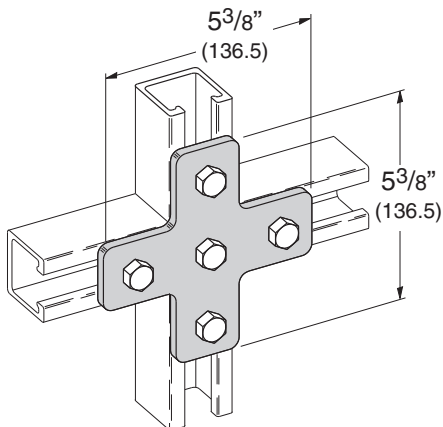
BFV143
FOUR HOLE FLAT CORNER PLATE

- Material: Injection Molded Glass Reinforced Polyurethane



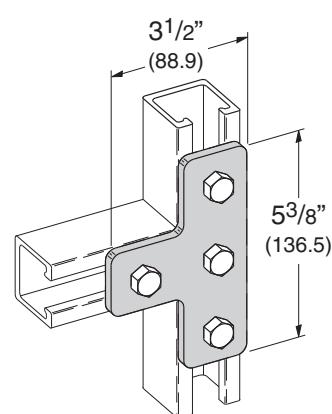
BFV132
FIVE HOLE FLAT CROSS PLATE

- Material: Injection Molded Glass Reinforced Polyurethane



BFV133
FOUR HOLE FLAT TEE PLATE

- Material: Injection Molded Glass Reinforced Polyurethane



Reference page 182 for general fitting specifications.