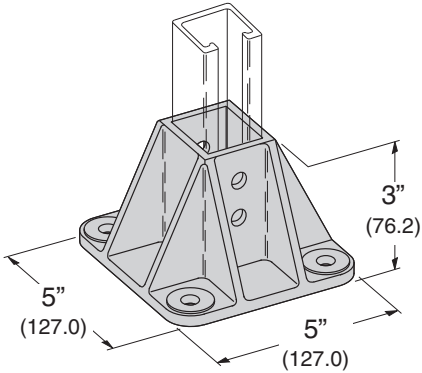


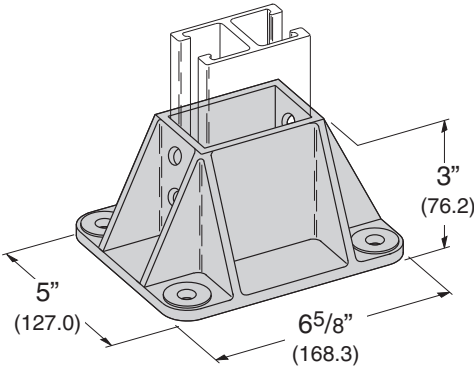
BFV280SQ
POST BASE FOR BF*22

- Material: Glass Reinforced Polyurethane



BFV281SQ
POST BASE FOR BF*22A

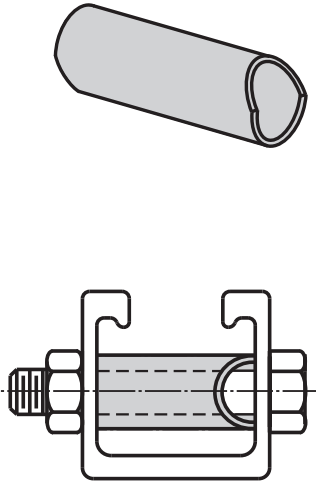
- Material: Glass Reinforced Polyurethane



Fiberglass Materials

BFV650
CHANNEL SPACER

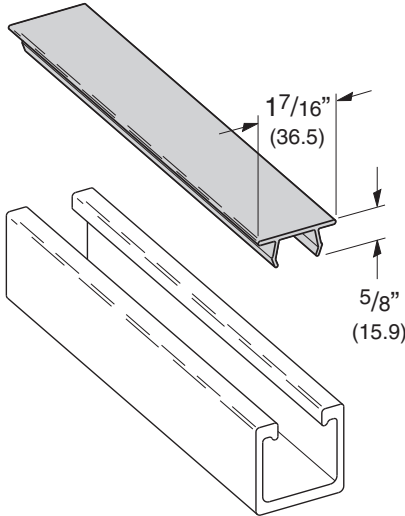
- Spacer I.D. accommodates 3/8" rod or bolts.
- Material: Polyurethane



Used when attaching fittings to side walls of channel. This channel spacer prevents wall compression in heavy load conditions.

B217P
PLASTIC CLOSURE STRIP

- Available in 10 Ft. (3.05 m) lengths.
- Material: PVC



Reference page 182 for general fitting specifications.