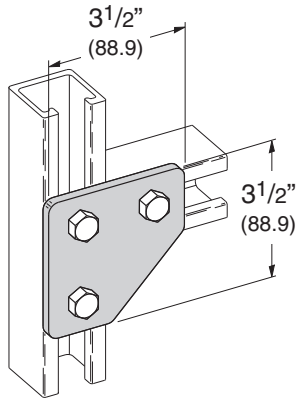


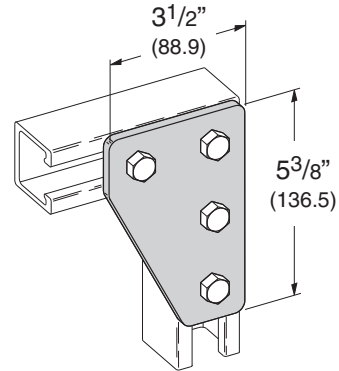
BFV135
THREE HOLE FLAT GUSSET CORNER PLATE

- Material: Injection Molding Glass Reinforced Polyurethane



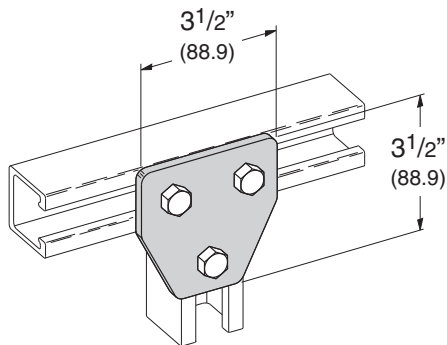
BFV142
FOUR HOLE FLAT GUSSET CORNER PLATE

- Material: Injection Molding Glass Reinforced Polyurethane



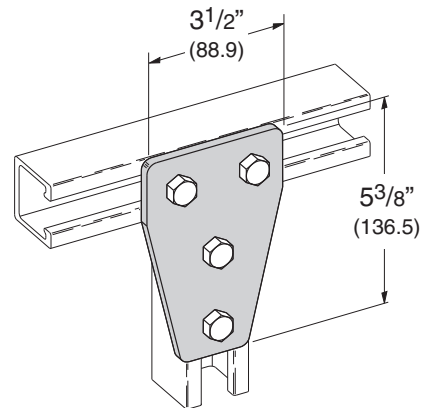
BFV337
THREE HOLE FLAT GUSSET TEE PLATE

- Material: Injection Molding Glass Reinforced Polyurethane



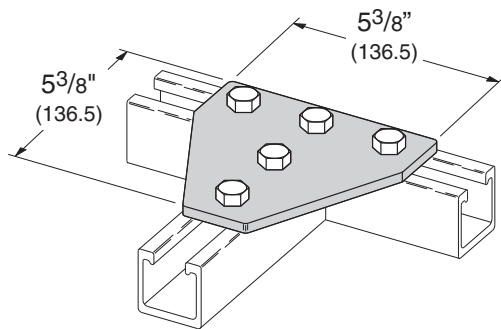
BFV136
FOUR HOLE FLAT GUSSET TEE PLATE

- Material: Injection Molding Glass Reinforced Polyurethane



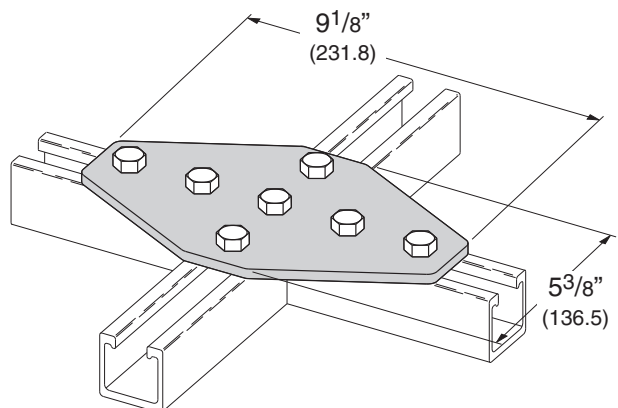
BFV532
FIVE HOLE FLAT GUSSET TEE PLATE

- Material: Injection Molding Glass Reinforced Polyurethane



BFV334
SEVEN HOLE FLAT GUSSET CROSS PLATE

- Material: Injection Molding Glass Reinforced Polyurethane



Reference page 182 for general fitting specifications.