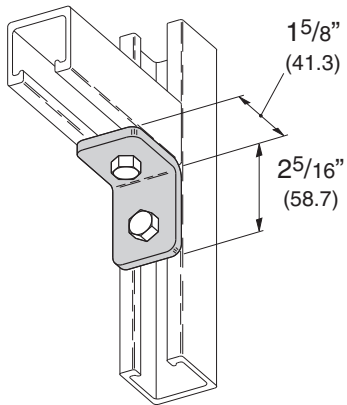


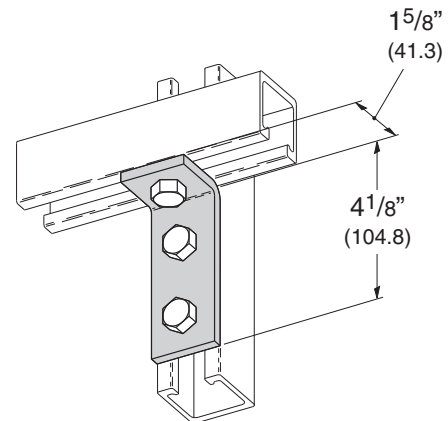
BFV101 TWO HOLE 90° CORNER ANGLE

- Material: Injection Molded Glass Reinforced Polyurethane



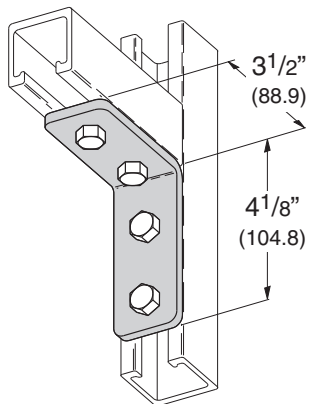
BFV103 THREE HOLE 90° CORNER ANGLE

- Material: Injection Molded Glass Reinforced Polyurethane



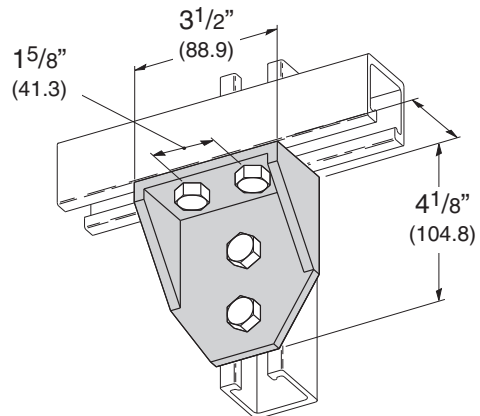
BFV104 FOUR HOLE 90° CORNER ANGLE

- Material: Injection Molded Glass Reinforced Polyurethane



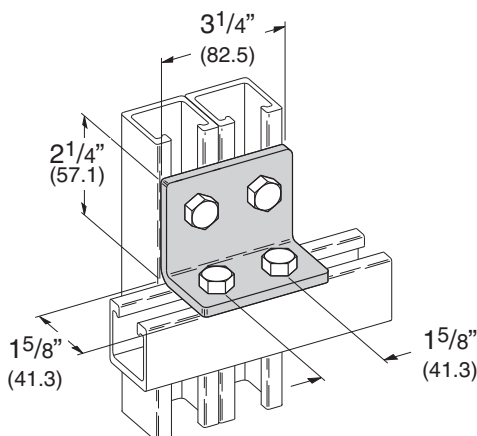
BFV118 FOUR HOLE 90° GUSSETED SHELF ANGLE

- Material: Injection Molded Glass Reinforced Polyurethane



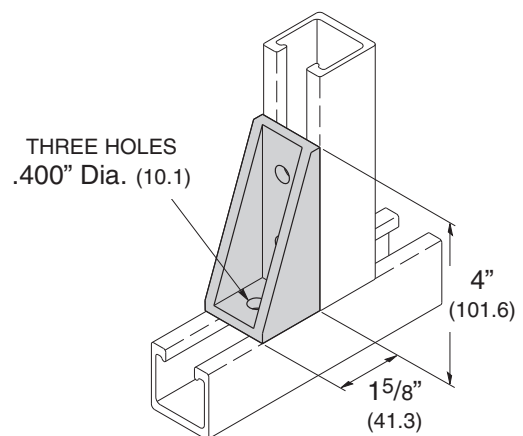
BFV558 FOUR HOLE 90° CORNER ANGLE

- Material: Injection Molded Glass Reinforced Polyurethane



BFV371-2G THREE HOLE 90° GUSSETED CORNER ANGLE

- Material: Injection Molded Glass Reinforced Polyurethane



Reference page 182 for general fitting specifications.