

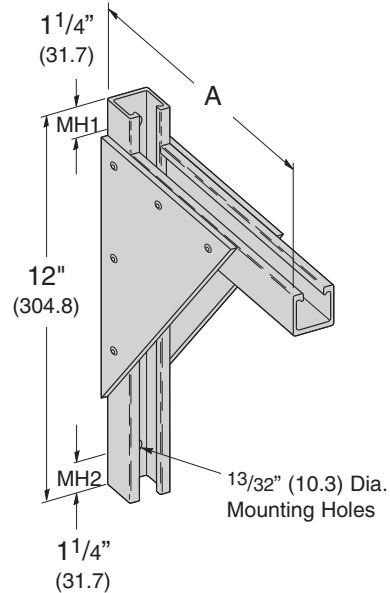
# Fiberglass

## BF\*409 SERIES BRACKETS 6" (152) TO 24" (609) LONG

- Design Load Safety Factor of 3 based on uniform loading
- MH1 - From Top of Bracket to center of Mounting Hole
- MH2 - From Bottom of Bracket to center of Mounting Hole

Part No.	A		Design Load	
	in.	mm	Lbs.	kN
BF*409-6	10	(250)	1400	(6.22)
BF*409-9	13	(330)	1000	(4.45)
BF*409-12	16	(406)	800	(3.56)
BF*409-18	22	(559)	675	(3.00)
BF*409-24	28	(711)	450	(2.00)

\* Insert P for Glass Reinforced Polyester Resin or  
V for Glass Reinforced Vinyl Ester Resin

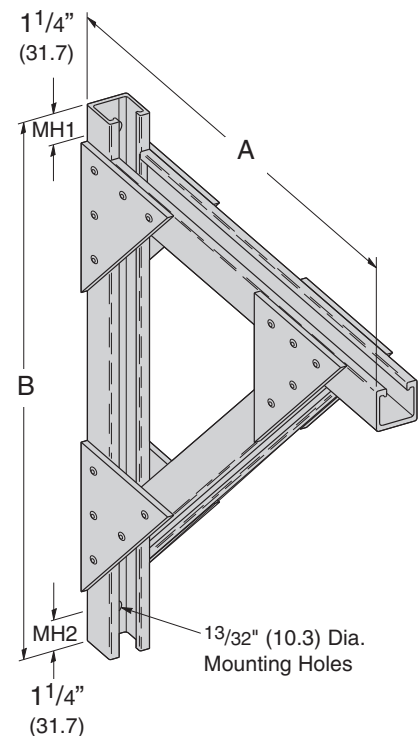


## BF\*494 SERIES BRACKETS 24" (609) TO 36" (914) LONG

- Design Load Safety Factor of 3 based on uniform loading
- MH1 - From Top of Bracket to center of Mounting Hole
- MH2 - From Bottom of Bracket to center of Mounting Hole
- Material: Glass Reinforced Vinyl Ester or Polyester

Part No.	A		B		Design Load	
	in.	mm	in.	mm	Lbs.	kN
BF*494-24	28	(711)	23	(584)	750	(3.33)
BF*494-30	34	(863)	26	(660)	750	(3.33)
BF*494-36	40	(1016)	29	(736)	750	(3.33)

\* Insert P for Glass Reinforced Polyester Resin or  
V for Glass Reinforced Vinyl Ester Resin



Reference page 182 for general fitting specifications.