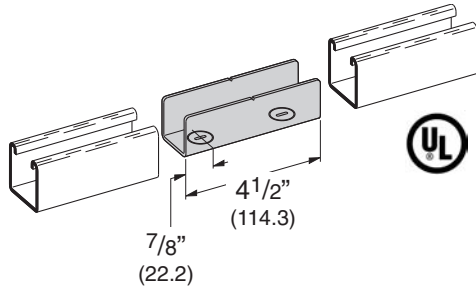


# Strut Joiners

## B766 SERIES STRAIGHT STRUT JOINER

- Includes: 2 Cam Screws
- Material: 12 Gauge (2.6)
- Standard finish: ZN

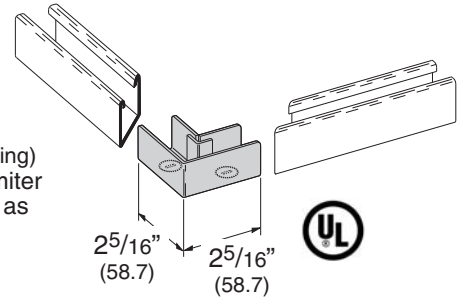


Part No.	For Channel Size	Wt./C	
		Lbs.	kg
B766-11	B11	94	(42.6)
B766-12	B12	72	(32.6)
B766-22 *	B22 & B24	50	(22.7)
B766-26	B26	53	(24.0)
B766-32	B32	44	(19.9)
B766-42	B42	34	(15.4)
B766-52	B52 & B54	28	(12.7)
B766-56	B56	31	(14.0)

## B767 SERIES 90° ELBOW STRUT JOINER

- Includes: 2 Cam Screws
- Material: 12 Gauge (2.6)
- Standard finish: ZN

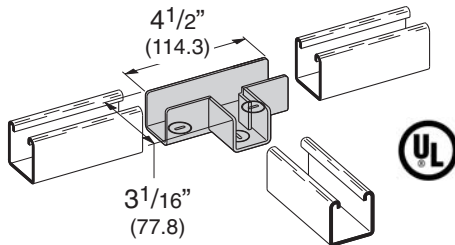
**Note:** B767-22 (Cast Aluminum Fitting) does not require miter cutting of channel as shown in drawing.



Part No.	For Channel Size	Wt./C	
		Lbs.	kg
B767-11	B11	74	(33.5)
B767-12	B12	56	(25.4)
B767-22 *	B22 & B24	39	(17.7)
B767-26	B26	41	(18.6)
B767-32	B32	34	(15.4)
B767-42	B42	27	(12.2)
B767-52	B52 & B54	23	(10.4)
B767-56	B56	25	(11.3)

## B768 SERIES TEE STRUT JOINER

- Includes: 3 Cam Screws
- Patented
- Material: 12 Gauge (2.6)
- Standard finish: ZN

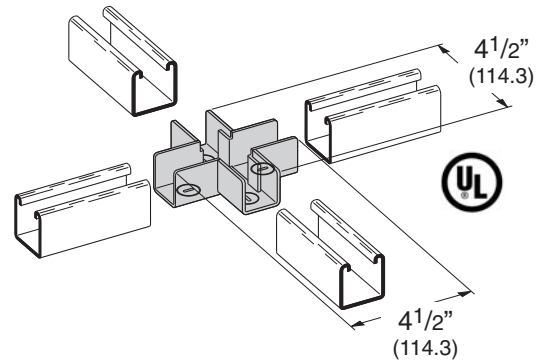


Part No.	For Channel Size	Wt./C	
		Lbs.	kg
B768-11	B11	142	(64.4)
B768-12	B12	112	(50.8)
B768-22 *	B22 & B24	79	(35.8)
B768-26	B26	79	(35.8)
B768-32	B32	72	(32.6)
B768-42	B42	62	(28.1)
B768-52	B52 & B54	57	(25.8)
B768-56	B56	60	(27.2)

\* Cast Aluminum parts

## B769 SERIES CROSS STRUT JOINER

- Includes: 4 Cam Screws
- Patented
- Material: 12 Gauge (2.6)
- Standard finish: ZN



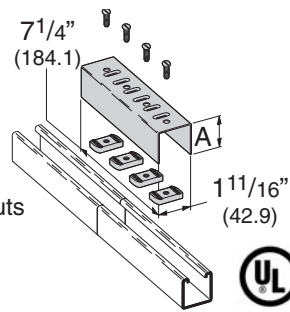
Part No.	For Channel Size	Wt./C	
		Lbs.	kg
B769-11	B11	148	(67.1)
B769-12	B12	120	(54.4)
B769-22 *	B22 & B24	87	(39.4)
B769-26	B26	93	(42.2)
B769-32	B32	78	(35.4)
B769-42	B42	65	(29.5)
B769-52	B52 & B54	58	(26.3)
B769-56	B56	62	(28.1)

**Note:** Strut joiners are not for structural support. A channel support is recommended within 24" (609 mm) of each joint.

Reference page 162 for general fitting and standard finish specifications. U.L. Wire Fill Chart on pages 230 - 231.

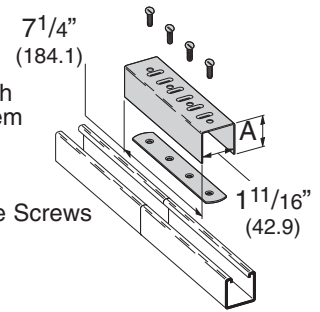
## B166 FOUR HOLE SPLICE CLEVIS

- Includes:
  - 1 Splice Clevis
  - 4 pcs. 1/4"-20 Flat Head Machine Screws
  - 4 pcs. N224WO Channel Nuts
- Material: 16 Gauge



## B166-46 FOUR HOLE SPLICE CLEVIS ASSEMBLY

- Requires ground wire for use with UL listed channel raceway system
- Includes:
  - 1 Splice Clevis
  - 1 pc. B466W tapped plate
  - 4 pcs. 1/4"-20 Flat Head Machine Screws
- Material: 16 Gauge (1.5)
- Standard finishes: ZN, GRN

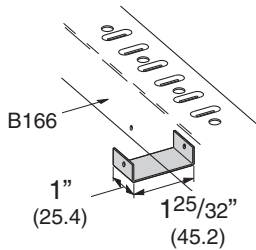


Part No.	A		For Channel Size	Wt./C	
				Lbs.	kg
B166-11	3 1/4"	(82.5)	B11	128	(58.0)
B166-12	2 7/16"	(61.9)	B12	108	(49.0)
B166-22	1 5/8"	(41.3)	B22, B24, B26	91	(40.3)
B166-32	1 3/8"	(34.9)	B32	83	(37.6)
B166-42	1"	(25.4)	B42	75	(34.0)
B166-52	1 3/16"	(20.6)	B52, B54, B56	71	(32.2)

Part No.	A		For Channel Size	Wt./C	
				Lbs.	kg
B166-46-11	3 1/4"	(82.5)	B11	118	(53.5)
B166-46-12	2 7/16"	(61.9)	B12	98	(44.4)
B166-46-22	1 5/8"	(41.3)	B22, B24, B26	79	(35.8)
B166-46-32	1 3/8"	(34.9)	B32	73	(33.1)
B166-46-42	1"	(25.4)	B42	65	(29.5)
B166-46-52	1 3/16"	(20.6)	B52, B54, B56	61	(27.6)

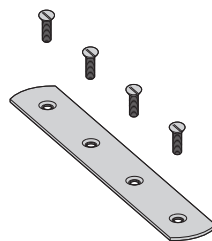
## B166CL SPLICE CLEVIS CLIP

- Use to cover gap between strut
- Material: 18 Gauge (1.2)
- Standard finish: ZN
- Wt./C 4 Lbs. (1.8 kg)



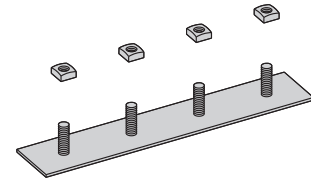
## B466W TAPPED SPLICE PLATE

- Includes:
  - 4 pcs. 1/4"-20 Flat Head Machine Screws
- Material: 14 Gauge (1.9)
- Standard finish: ZN
- Wt./C 27 Lbs. (12.2 kg)
- Holes 1 3/16" (20.6) from ends and 1 7/8" (47.6) on centers



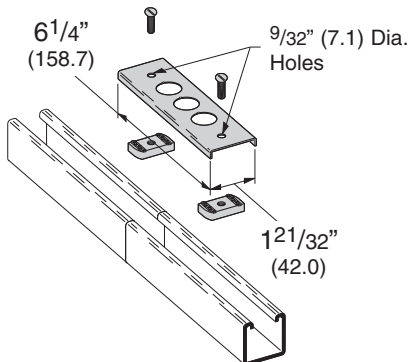
## B466S STUD SPLICE PLATE

- Includes:
  - 4 pcs. 1/4"-20 Square Nuts
- Material: 14 Gauge (1.9)
- Standard finish: ZN
- Wt./C 34 Lbs. (15.4 kg)
- Studs 1 3/16" (20.6) from ends and 1 7/8" (47.6) on centers



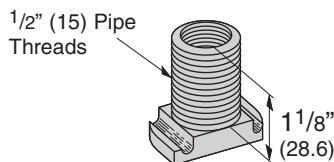
## B619 KNOCK-OUT PLATE

- Requires ground wire for use with UL listed channel raceway system
- Includes:
  - 2 pcs. 1/4"-20 Flat Head Machine Screws
  - 2 pcs. N224WO Channel Nuts
- Material: 16 Gauge (1.5)
- 1/2" (15) Conduit Knockouts
- Standard finish: ZN
- Wt./C 40 Lbs. (18.1 kg)



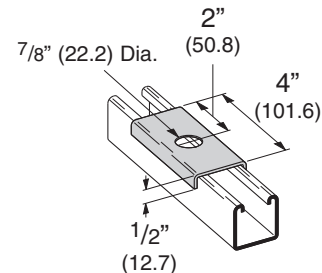
## B393-1 WIRING STUD

- Requires ground wire for use with UL listed channel raceway system
- 1/2" (15) pipe threads
- Material: Cast Aluminum
- Wt./C 6 Lbs. (2.7 kg)



## B589 SPACER CLEVIS

- Can be used with B393-1 wiring stud
- Material: 12 Gauge (2.6)
- Standard finish: ZN
- Wt./C 29 Lbs. (13.1 kg)



Reference page 162 for general fitting and standard finish specifications. U.L. Wire Fill Chart on pages 230 - 231.