

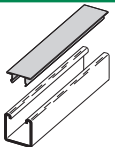
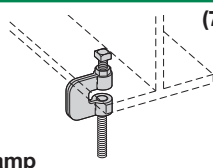
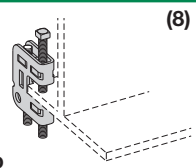
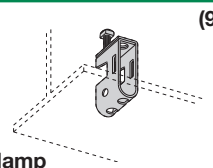
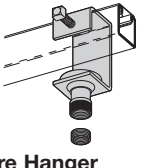
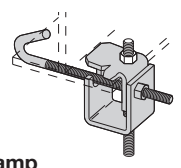
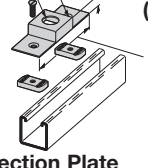
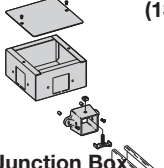
SELECTION CHART

Channel Number	Depth		Channel Hanger		Fixture Hanger	End Cap	Connection End Cap	Internal Straight Splice	Internal Tee Splice
B22A	3 ¹ / ₄ "	(82.5)	B616-22A*	B241S*	B616S-22A*	B205 or B285	B392-22** B285	B766-22 (2)	B768-22 (2)
B11	3 ¹ / ₄ "	(82.5)	B616-22A*	B241S*	B616S-22A*	B222	B392-11**	B766-11	B768-11
B12	2 ⁷ / ₁₆ "	(61.9)	B616-22A*	B241S*	B616S-22A*	B221	B392-12**	B766-12	B768-12
B22 B24	1 ⁵ / ₈ "	(41.3)	B616*	B216S*	B616S* B616TG*	B205 or B285 B223 or B286	B392-22**	B766-22	B768-22
B26	1 ⁵ / ₈ "	(41.3)	B616*	—	—	—	B392-22**	—	—
B32	1 ³ / ₈ "	(34.9)	B616*	B216S*	B616S* B616TG*	B206	B392-32**	B766-32	B768-32
B42	1"	(25.4)	B616*	B215S*	B616S* B616TG*	B203	—	B766-42	B768-42
B52 B54	1 ³ / ₁₆ "	(20.6)	B616*	B215S*	B616S* B616TG*	B220 or B283 B204 or B284	—	B766-52	B768-52
B56	1 ³ / ₁₆ "	(20.6)	B616*	B215S*	B616S* B616TG*	—	—	B766-56	—

*Specify Hanger Rod or Conduit Size.

**Specify Conduit Size

OTHER ITEMS SHOWN ON ILLUSTRATION

B217-20  Snap-in Closure Strip (6)	B351L  Beam Clamp (7)	B755  Beam Clamp (8)	B751  Beam Clamp (9)
B465  H.I.D. Fixture Hanger (10)	B750  Beam Clamp (11)	B447 B447A  Conduit Connection Plate (12)	B719  B718 Series Junction Box (13)

Reference page 162 for general fitting and standard finish specifications. U.L. Wire Fill Chart on pages 230 - 231.