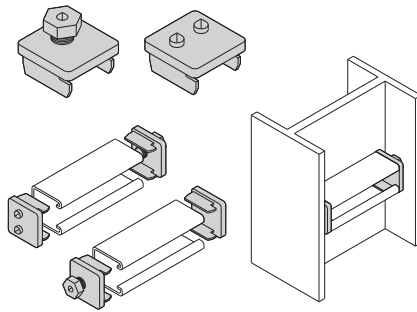


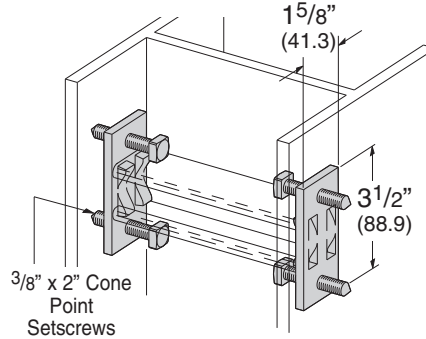
B614 COLUMN SUPPORT FOR B22

- Quick installation (one bolt to tighten)
- Design Load 800 Lbs. (3.56 kN) Slip with Safety Factor of 3
- Use with B22 and B24 Channel
- Sold in pairs
- Standard finish: ZN
- Wt./C 50 Lbs. (22.6 kg)



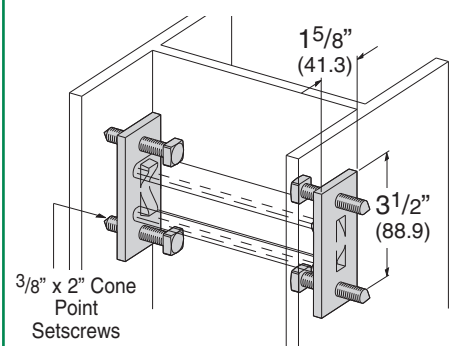
B613 COLUMN SUPPORT FOR B22

- Design Load 800 Lbs. (3.56 kN) Slip with Safety Factor of 3
- Use with B22 and B24 Channel
- Setscrews to be torqued to 19 ft./Lbs
- Sold in pairs
- Standard finishes: ZN, GRN, HDG
- Wt./C 100 Lbs. (45.3 kg)



B613A COLUMN SUPPORT FOR B52

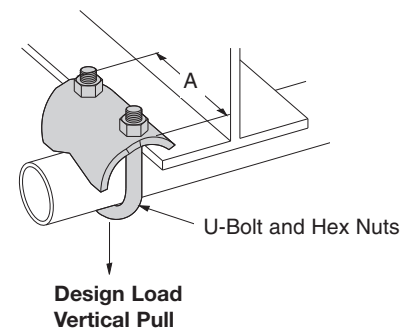
- Design Load 800 Lbs. (3.56 kN) Slip with Safety Factor of 3
- Use with B52 and B54 Channel
- Setscrews to be torqued to 19 ft./Lbs
- Sold in pairs
- Standard finishes: ZN, GRN, HDG
- Wt./C 100 Lbs. (45.3 kg)



B422 SERIES RIGHT ANGLE CLAMP

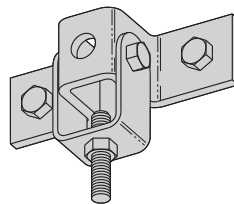
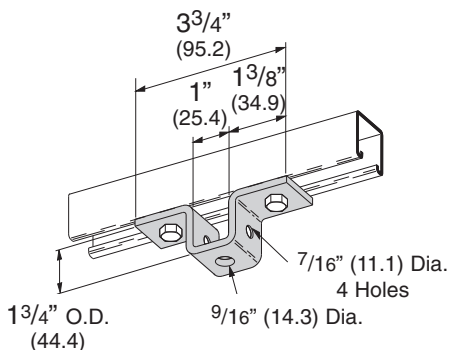
- Safety Factor of 5
- Material: 7 Gauge (4.5)
- Standard finishes: ZN, SS4

Part No.	Conduit Size		A		Design Load Vertical Pull		Wt./C	
					Lbs.	kg	Lbs.	kg
B422-1/2	1/2"	(15)	2 ³ / ₈ "	(60.3)	250	(1.11)	38	(17.2)
B422-3/4	3/4"	(20)	2 ³ / ₈ "	(60.3)	300	(1.33)	39	(17.7)
B422-1	1"	(25)	2 ⁷ / ₈ "	(73.0)	400	(1.78)	48	(21.8)
B422-1 ¹ / ₄	1 ¹ / ₄ "	(32)	2 ⁷ / ₈ "	(73.0)	400	(1.78)	50	(22.7)
B422-1 ¹ / ₂	1 ¹ / ₂ "	(40)	3 ¹ / ₄ "	(82.5)	500	(2.22)	59	(26.7)
B422-2	2"	(50)	3 ¹¹ / ₁₆ "	(93.7)	600	(2.67)	75	(34.0)
B422-2 ¹ / ₂	2 ¹ / ₂ "	(65)	4 ¹ / ₄ "	(107.9)	700	(3.11)	98	(44.4)
B422-3	3"	(80)	4 ⁷ / ₈ "	(123.8)	800	(3.56)	111	(50.3)
B422-3 ¹ / ₂	3 ¹ / ₂ "	(90)	5 ⁷ / ₁₆ "	(138.1)	900	(4.00)	123	(55.8)
B422-4	4"	(100)	6"	(152.4)	1000	(4.45)	135	(61.2)



B107S U-SUPPORT

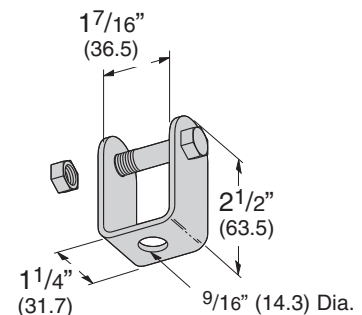
- Material: 7 Gauge (4.5)
- Standard finishes: ZN, GRN
- Wt./C 51 Lbs. (23.1 kg)



- Illustration shows B107S and B593 used together
- Design Load 900 Lbs., strength of assembly only
- Verify anchorage

B593 CLEVIS SWIVEL

- Includes:
 - 1 pc. 3/8"-16 x 2" HHCS
 - 1 pc. 3/8"-16 Hex Nut
- Material: 11 Gauge (3.0)
- Standard finishes: ZN, GRN
- Wt./C 31 Lbs. (14.0 kg)



Reference page 112 for general fitting and standard finish specifications.