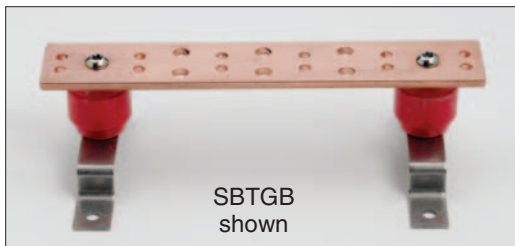
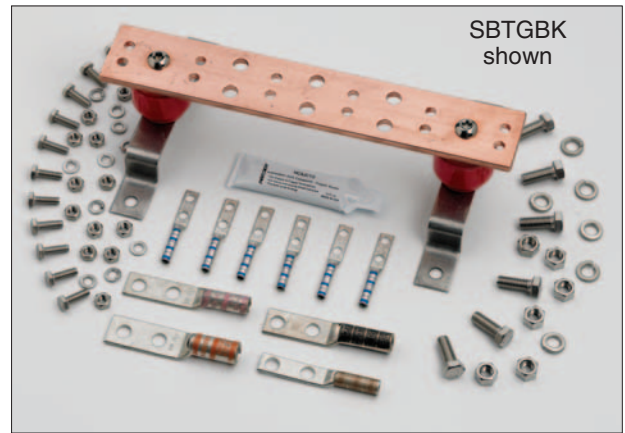


Telecommunications Grounding Bar Kit

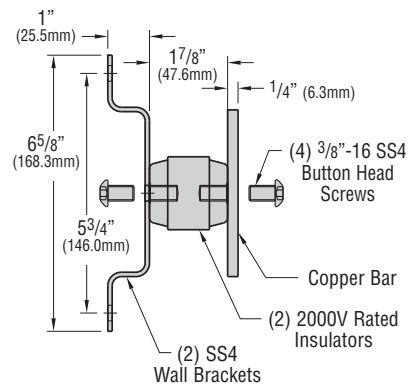
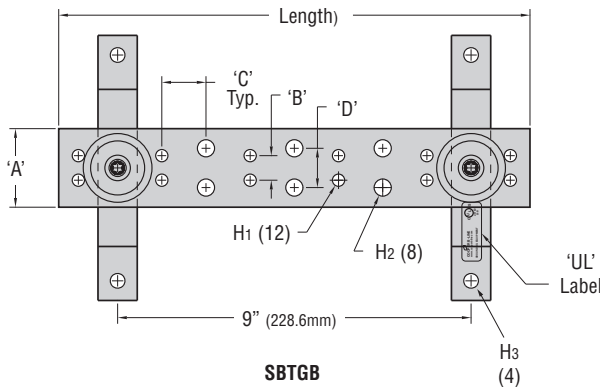
Features:

- Provides a common grounding point within the telecommunications room
- Typically is located on wall of data room
- Kit includes
 - 1 - Grounding bar assembly
 - 6 - #6 compression lugs
 - 1 each - #2, 1/0, 2/0, 3/0 compression lugs
 - 12 each - 1/4"-20 x 3/4" (19.0mm) SS4 hex bolts, hex nuts & lock washers
 - 6 each - 3/8"-16 x 1" (25.4mm) SS4 hex bolts, hex nuts & lock washers
- Material: Copper bar & SS4 wall brackets



Dimensional Data

- A = 2" (50.8mm)
- B = 5/8" (15.8mm)
- C = 1 1/4" (31.7mm)
- D = 1" (25.4mm)
- H1 = 5/16"Ø (7.9mm)
- H2 = 7/16"Ø (11.1mm)
- H3 = 3/8"Ø (9.5mm)



Part Number	Includes	Length		Wt./Ea.	
		in.	(mm)	lbs.	(kg)
SBTGB	Grounding Bar Assy	12"	(305)	2.91	(1.32)
SBTGBK	Bar & Hardware Kit	12"	(305)	4.91	(2.23)