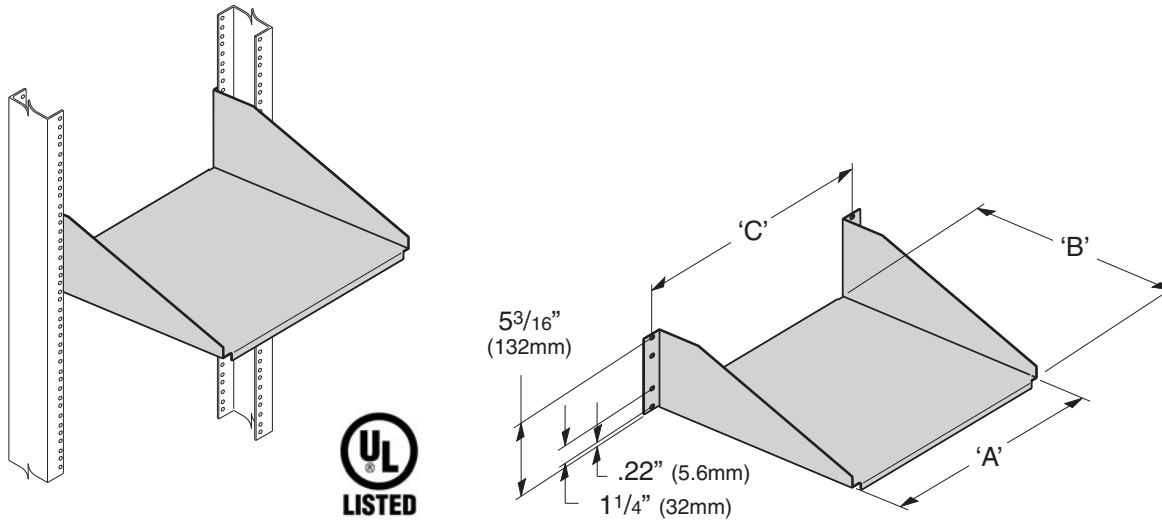




Single Sided Rack Mounted Shelf

Solid Shelf

- Use to support monitors, CPU's and modems.
- Can be mounted to any flat surface including walls.
- Three (3) mounting spaces required.
- 100 Lb. (.45kg) load capacity.
- Includes: #12-24 mounting hardware.
- UL 1863 Listed (File No. E171936) as a communications circuit accessory.
- Material: 0.090 thick 5052-H32 aluminum sheet or 14 Gauge ASTM 569 Steel
- Finish ___: Aluminum - Brushed (AL),
Aluminum & Steel - Telco Gray Powder Coat (TG),
Flat Black Powder Coat (FB) or Silver Powder Coat (SL)
Other finishes are available upon request.
- Ordering: Specify part number and finish abbreviation.



Part Number	Mat'l.	Rack Width		'A'		'B'		'C'		Weight	
		In.	(mm)	In.	(mm)	In.	(mm)	In.	(mm)	Lbs.	(kg)
 SB747S1910A	Alum	19"	(482)	17 1/2"	(444)	10"	(254)	18 5/16"	(465)	2.7	(1.2)
SB747S1910S	Steel	19"	(482)	17 1/2"	(444)	10"	(254)	18 5/16"	(465)	7.8	(3.5)
 SB747S1915A	Alum	19"	(482)	17 1/2"	(444)	15"	(381)	18 5/16"	(465)	3.8	(1.7)
SB747S1915S	Steel	19"	(482)	17 1/2"	(444)	15"	(381)	18 5/16"	(465)	11.0	(5.0)
SB747S2310A	Alum	23"	(584)	21 1/2"	(546)	10"	(254)	22 5/16"	(567)	2.9	(1.3)
SB747S2310S	Steel	23"	(584)	21 1/2"	(546)	10"	(254)	22 5/16"	(567)	8.4	(3.8)
SB747S2315A	Alum	23"	(584)	21 1/2"	(546)	15"	(381)	22 5/16"	(567)	4.2	(1.9)
SB747S2315S	Steel	23"	(584)	21 1/2"	(546)	15"	(381)	22 5/16"	(567)	12.1	(5.5)



FB & AL are popular Bee List items