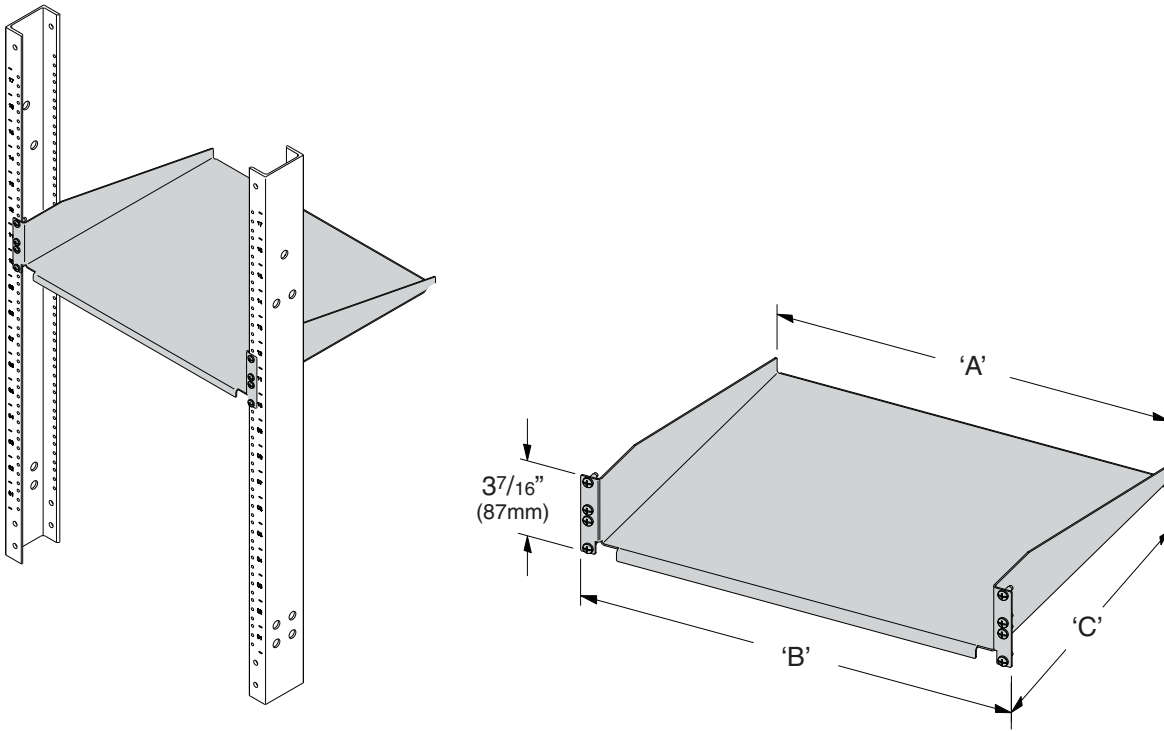


Single Sided Rack Mounted Shelf - 2U

Solid Shelf



- Use to support equipment in a relay rack.
- Two mounting spaces required.
- 100 Lb. (.45kg) load capacity.
- Includes: #12-24 mounting hardware.
- Material: 14 Gauge Steel
- Finish __: Telco Gray Powder Coat (TG),
Flat Black Powder Coat (FB) or Silver Powder Coat (SL)
Other finishes are available upon request.
- Ordering: Specify part number and finish abbreviation.



Part Number	Mat'l.	Rack Width 'W'		'A'		'B'		'C'		Weight	
		In.	(mm)	In.	(mm)	In.	(mm)	In.	(mm)	Lbs.	(kg)
SB749S19S __	Steel	19"	(482)	17 ⁵ / ₁₆ "	(440)	19"	(482)	15"	(381)	6.4	(2.9)

 FB are popular Bee List items