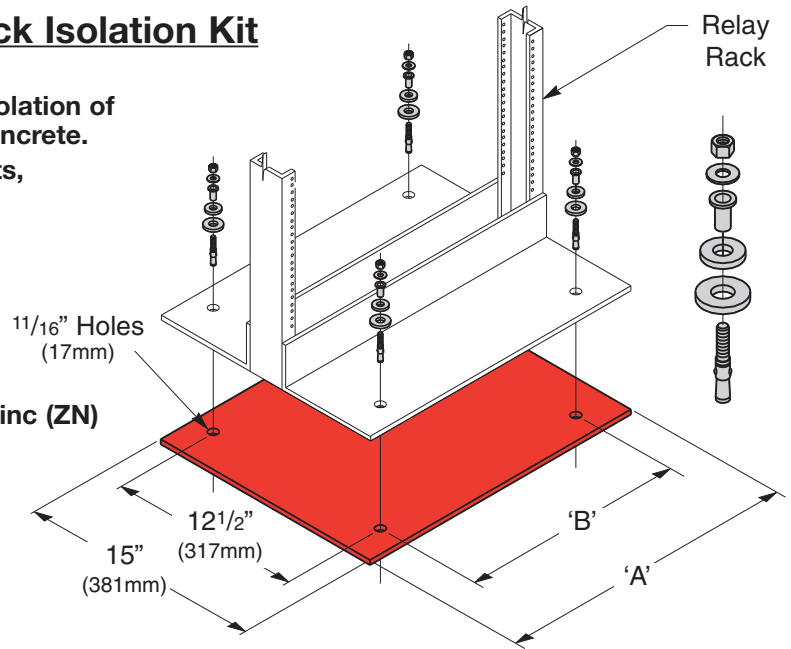


Self Supported Equipment Rack Isolation Kit

- Use to anchor and provide electrical isolation of self supported equipment rack from concrete.
- Includes: (1) isolation pad, (4) sleeve kits, (4) 3/8"-16 x 2 3/4" (70mm) wedge anchors and hardware.
- Material: Polyester fiberglass - pad
Steel - anchors and hardware
6/6 Nylon - sleeve
- Finish: Pad - Red
Sleeve - Natural
Anchors and hardware - Clear Zinc (ZN)



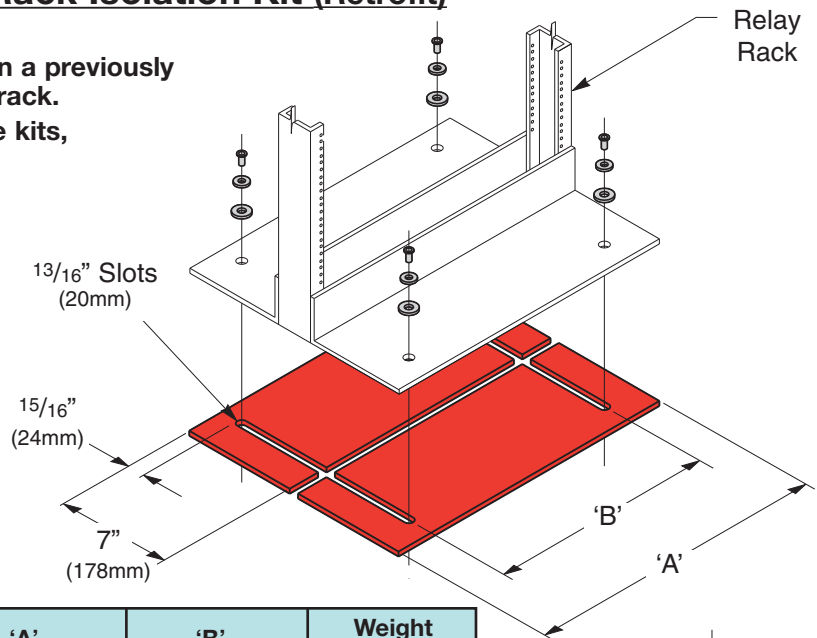
Part Number	Rack Width		'A'		'B'		Weight	
	In.	(mm)	In.	(mm)	In.	(mm)	Lbs.	(kg)
SB254101	19"	(483)	20 ⁵ / ₁₆ "	(516)	16"	(406)	2.47	(1.12)
SB254102	23"	(584)	24 ⁵ / ₁₆ "	(617)	20"	(508)	2.86	(1.30)



Popular Bee List item

Self Supported Equipment Rack Isolation Kit (Retrofit)

- Use to provide electrical isolation on a previously installed self supported equipment rack.
- Includes: (1) isolation pad, (4) sleeve kits, (4) 7/16" flat washers.
- Anchors not included.
- Material: Polyester fiberglass - pad
6/6 Nylon - sleeve
steel - flat washers
- Finish: Pad - Red
Sleeve - Natural
Flat washers - Yellow
Zinc (YZ)



Part Number	Rack Width		'A'		'B'		Weight	
	In.	(mm)	In.	(mm)	In.	(mm)	Lbs.	(kg)
SB254401	19"	(483)	20 ⁵ / ₁₆ "	(516)	16"	(406)	1.80	(0.82)
SB254402	23"	(584)	24 ⁵ / ₁₆ "	(617)	20"	(508)	2.20	(1.00)



Popular Bee List item