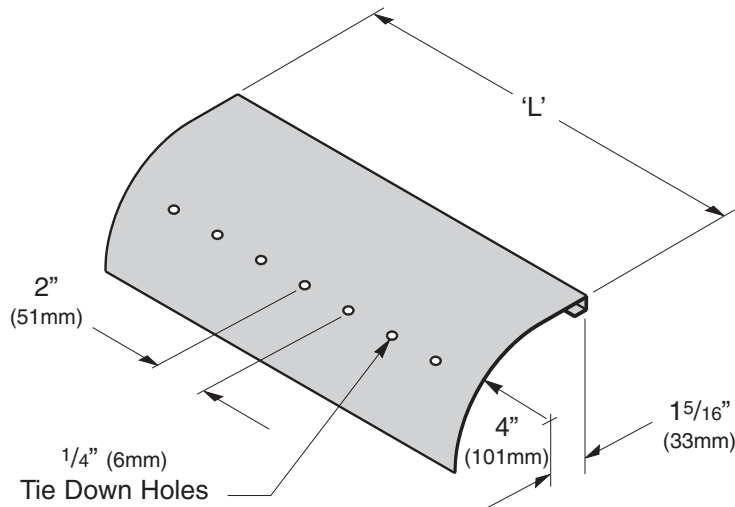
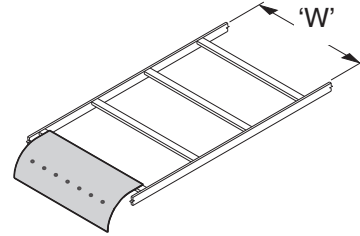


## Steel Runway Drop-Out

- Use to provide a smooth radius for cable exit.
- SB2129 Series fits channel or tube rungs 1/2" (13mm) x 1" (25mm).
- SB2129U Series fits rungs 3/8" (9mm) x 1 1/2" (38mm).
- Cable tie down holes provided.
- 4" (102mm) cable bend radius.
- Includes: self-drilling screws
- Material: 18 Gauge (1.2mm) ASTM A569 steel
- Finish \_\_\_: Yellow Zinc (YZ),  
Telco Gray Powder Coat (TG) or  
Flat Black Powder Coat (FB)  
(Other finishes are available upon request)



CABLE RUNWAYS & ACCESSORIES

Part Number		Dropout Width 'L'		Runway Width 'W'		Weight	
SB2129 Series	SB2129U Series	In.	(mm)	In.	(mm)	Lbs.	(kg)
SB212906	SB2129U06	4"	(101)	6"	(152)	0.7	(0.31)
SB212909	SB2129U09	7"	(178)	9"	(228)	1.2	(0.54)
SB212912	SB2129U12	10"	(254)	12"	(305)	1.7	(0.77)
SB212915	SB2129U15	13"	(330)	15"	(381)	2.2	(0.99)
SB212918	SB2129U18	16"	(406)	18"	(457)	2.7	(1.22)
SB212920	SB2129U20	18"	(457)	20"	(508)	3.0	(1.36)
SB212924	SB2129U24	22"	(559)	24"	(609)	3.7	(1.67)
SB212930	SB2129U30	28"	(711)	30"	(762)	4.7	(2.13)
SB212936	SB2129U36	34"	(863)	36"	(914)	5.7	(2.58)



 FB is a popular Bee List item