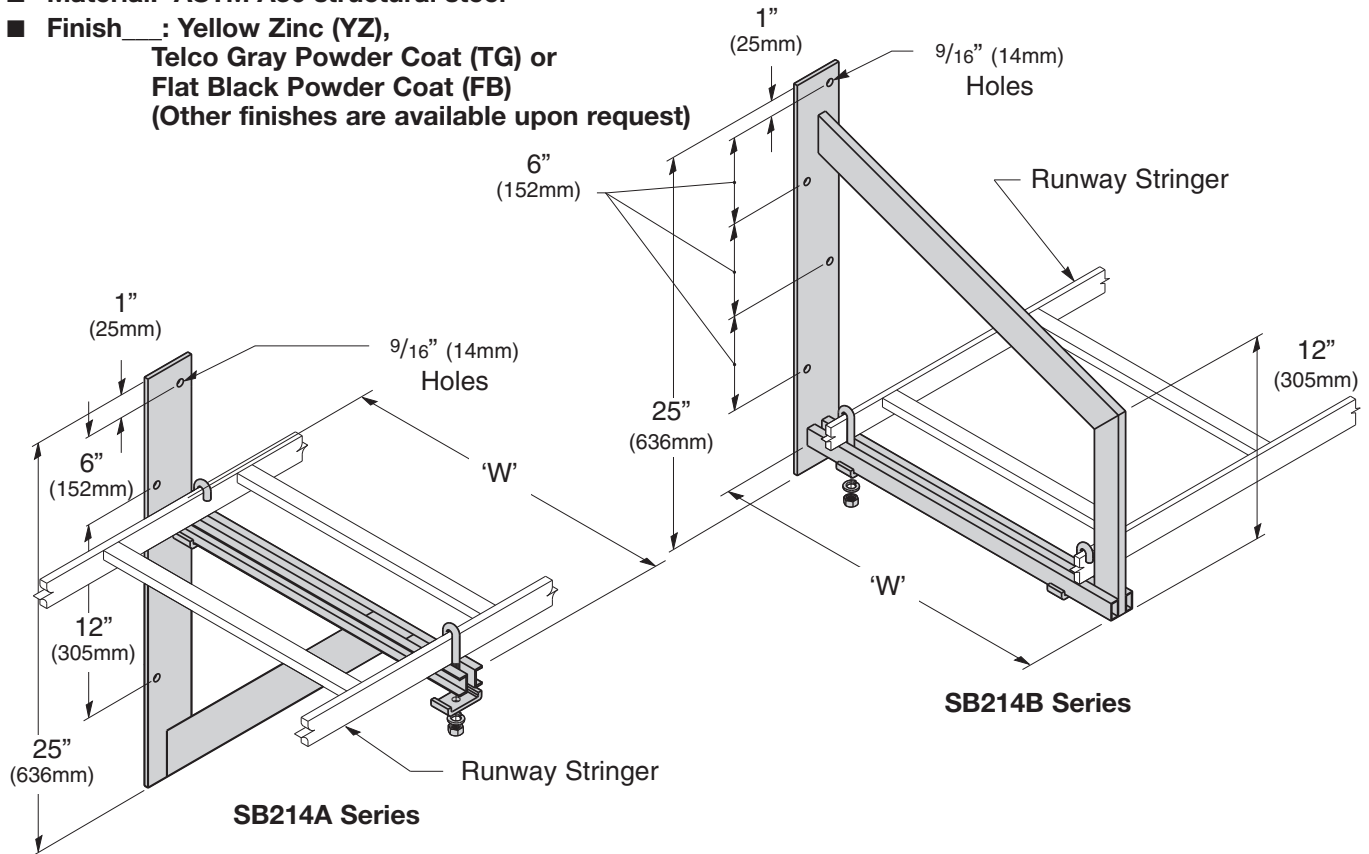


Runway Wall Support

- Use to support cable runway from wall.
- Sized for both 1 1/2" stringers.
- Welded steel construction.
- Designed for 15" (381mm), 18" (457mm) and 24" (609mm) cable runways.
- See SB213 for smaller sizes.
- Order anchors separately.
- Includes: (1) wall support, (2) 'J' bolts, (2) framing clips and 5/16"-18 hardware.
- Material: ASTM A36 structural steel
- Finish___: Yellow Zinc (YZ),
Telco Gray Powder Coat (TG) or
Flat Black Powder Coat (FB)
(Other finishes are available upon request)



SB214A Series

Part Number	Runway Width		'W' Bracket Width		Weight	
	In.	(mm)	In.	(mm)	Lbs.	(kg)
SB214A15K___	15"	(381)	18"	(457)	9.0	(4.1)
SB214A18K___	18"	(457)	21"	(533)	9.3	(4.2)
SB214A24K___	24"	(609)	27"	(686)	10.0	(4.5)

SB214B Series

Part Number	Runway Width		'W' Bracket Width		Weight	
	In.	(mm)	In.	(mm)	Lbs.	(kg)
SB214B15K___	15"	(381)	18"	(457)	10.0	(4.5)
SB214B18K___	18"	(457)	21"	(533)	10.5	(4.7)
SB214B24K___	24"	(609)	27"	(686)	11.4	(5.2)