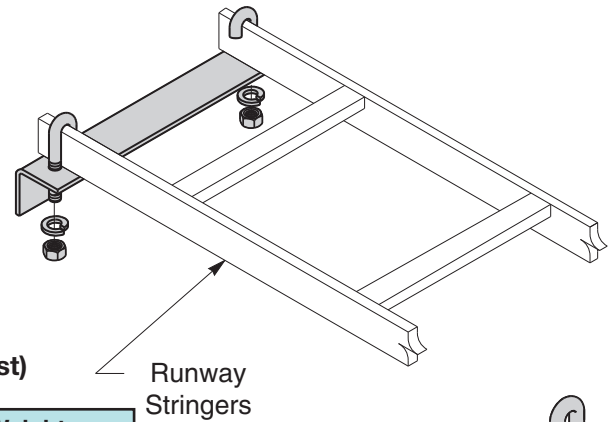


Runway Wall Angle Support Kit

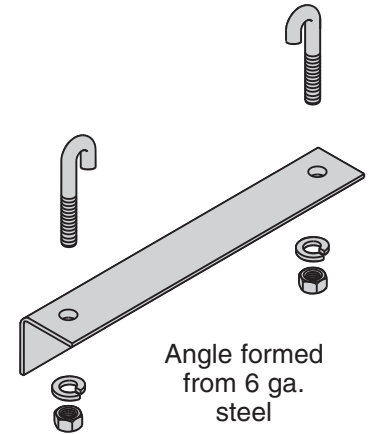
- Use to secure cable runway to a wall.
- Sized for both 1 1/2" (38mm) stringers.
- Order anchors separately.
- Includes: (1) angle bracket, (2) 'J' Bolts and 5/16"-18 hardware.
- Material: 6 Gauge ASTM A659 steel
- Finish: Yellow Zinc (YZ), Telco Gray Powder Coat (TG) or Flat Black Powder Coat (FB) (Other finishes are available upon request)



Part Number For	Runway Width		Weight	
	In.	(mm)	Lbs.	(kg)
SB211306	6"	(152)	2.10	(0.95)
SB211309	9"	(228)	2.60	(1.18)
SB211312	12"	(305)	3.70	(1.68)
SB211315	15"	(381)	4.50	(2.04)
SB211318	18"	(457)	5.40	(2.45)
SB211320	20"	(508)	6.00	(2.72)
SB211324	24"	(609)	7.20	(3.26)
SB211330	30"	(762)	9.00	(4.08)
SB211336	36"	(914)	10.80	(4.90)

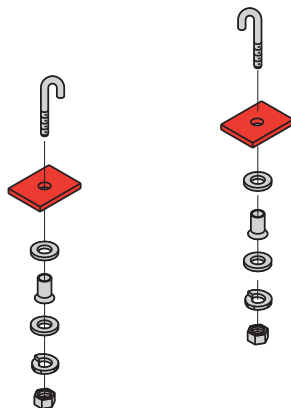
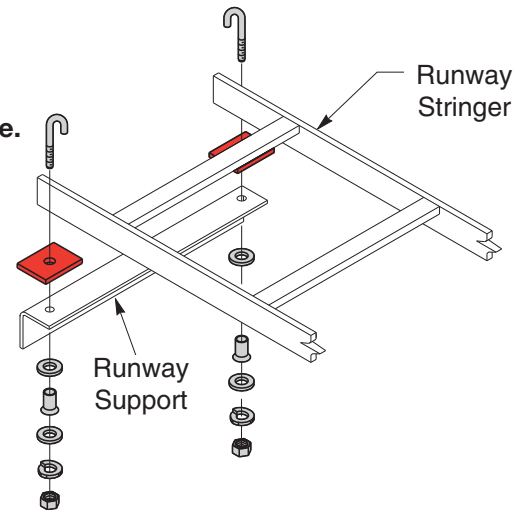


FB, TG & YZ are popular Bee List items



Runway Wall Support Isolation Kit

- Use to secure and provide electrical isolation of cable runway to wall support.
- Includes: (2) pads, (2) 'J' Bolts, (2) sleeve kits and hardware.
- Material: Polyester fiberglass - pad
6/6 Nylon - sleeve
steel - 'J' Bolt and hardware
- Finish: Pad - Red
Sleeve - Natural
J-Bolts and hardware - Yellow Zinc (YZ)



Part Number	Runway Height		Weight	
	In.	(mm)	Lbs.	(kg)
SB2501	1 1/2"	(38)	0.20	(0.09)