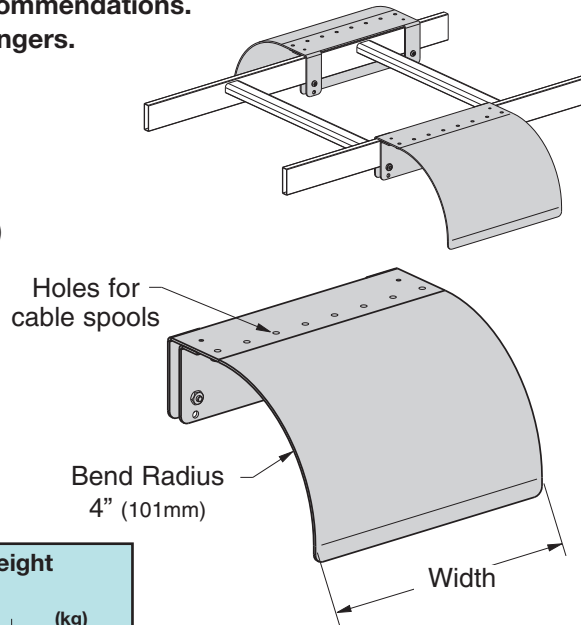


Side Drop-Out

- Allows for cable to exit from side of cable runway stringer.
- Provides a radius bend in accordance with EIA recommendations.
- Will fit either 3/8" (9mm) x 1 1/2" (38mm) or 2" (51mm) stringers.
- Includes installation hardware.
- Material: 14 ga. (1.9mm) ASTM A36 steel
- Finish___: Yellow Zinc (YZ),
Telco Gray Powder Coat (TG) or
Flat Black Powder Coat (FB)
(Other finishes are available upon request)

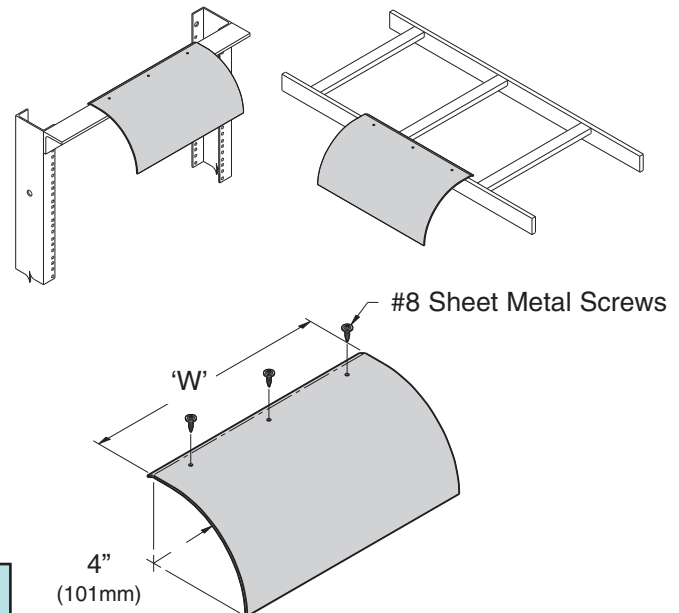


Part Number	Width		Weight	
	In.	(mm)	Lbs.	(kg)
SB2129SD09__	9"	(228)	1.8	(0.8)
SB2129SD12__	12"	(305)	2.0	(0.9)

BZ & YZ are popular Bee List items

Universal Drop-Out

- Drop-out can be used on both cable runway and relay racks.
- Provides a radius bend in accordance with EIA recommendations.
- Attaches with sheet metal screws (included).
- Material: Aluminum
- Finish___: Brushed Aluminum (AL),
Telco Gray Powder Coat (TG),
Computer White Powder Coat (CW) or
Flat Black Powder Coat (FB)



Part Number	'W'		# of Screws	Weight	
	In.	(mm)		Lbs.	(kg)
SB78706__	5.44	(138)	2	0.3	(0.13)
SB78712__	11.44	(290)	3	0.7	(0.32)
SB78718__	17.44	(443)	4	1.1	(0.50)