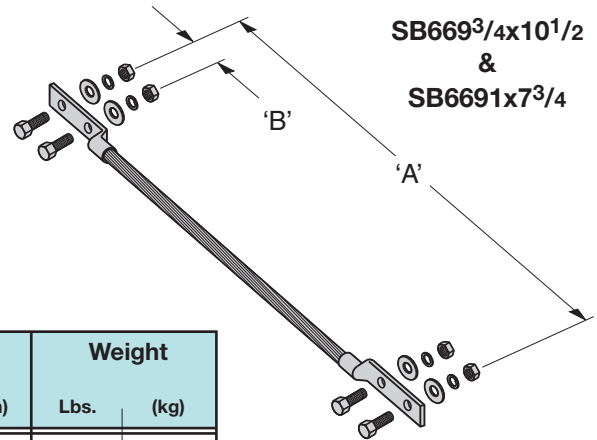
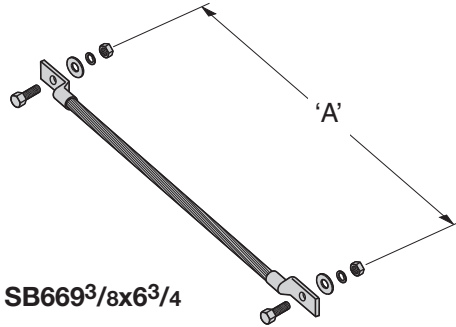


Grounding Strap

- Use to provide grounding path.
- Includes: (1) cable with crimped lugs and 1/4"-20 hardware.
- Material: #6 flexible tin plated copper wire



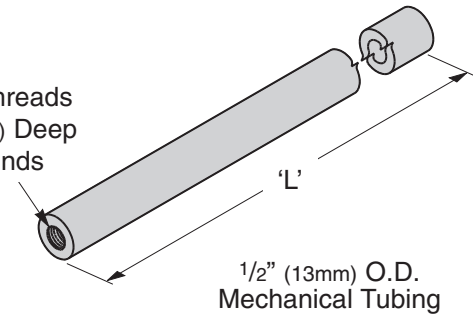
Part Number	'A'		'B'		Weight	
	In.	(mm)	In.	(mm)	Lbs.	(kg)
SB669 ^{3/4} x10 ^{1/2}	10 ^{1/2} "	(267)	3/4"	(19)	.36	(0.16)
SB669 ¹ x7 ^{3/4}	7 ^{3/4} "	(197)	1"	(25)	.27	(0.12)
SB669 ^{3/8} x6 ^{3/4}	6 ^{3/4} "	(171)	N/A	N/A	.20	(0.09)

Popular Bee List item

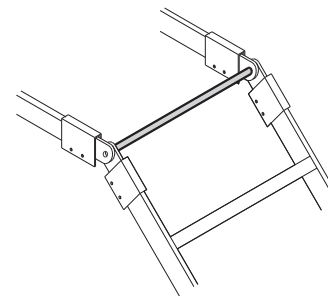
Cable Support Bar

- Use to support cable when using adjustable vertical bend SB2110.
- Material: 1/2" (13mm) x 13 Ga. (2.3mm) steel tubing
- Finish___: Yellow Zinc (YZ), Telco Gray Powder Coat (TG) or Flat Black Powder Coat (FB) (Other finishes are available upon request)

3/8"-16 Threads
3/4" (19mm) Deep
Both Ends



Part Number	'L' Length		Weight	
	In.	(mm)	Lbs.	(kg)
SB16106___	5 ^{7/32} "	(132)	0.24	(0.11)
SB16109___	8 ^{7/32} "	(209)	0.37	(0.17)
SB16112___	11 ^{7/32} "	(285)	0.51	(0.23)
SB16115___	14 ^{7/32} "	(361)	0.64	(0.29)
SB16118___	17 ^{7/32} "	(437)	0.78	(0.35)
SB16120___	19 ^{7/32} "	(503)	0.87	(0.39)
SB16124___	23 ^{7/32} "	(590)	1.05	(0.47)
SB16130___	29 ^{7/32} "	(742)	1.32	(0.60)
SB16136___	35 ^{7/32} "	(894)	1.59	(0.72)



CABLE RUNWAYS & ACCESSORIES