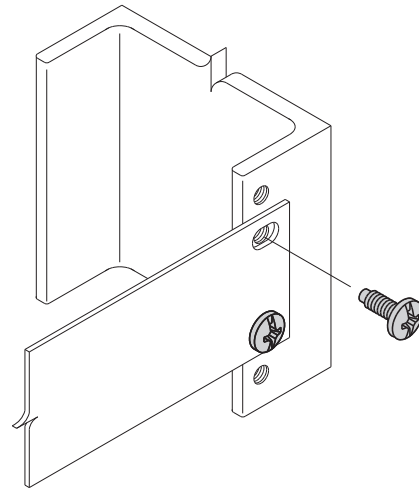


Mounting Screws

- Use with equipment racks and equipment frames.
- #12-24 x 5/8" (16mm) screw size.
- Combination head design.
- Dog point to minimize cross threading.
- Sold in packages of 50.
- Material: SAE J429 Grade 5 steel
- Finish___: Clear Zinc (ZN) or Black Zinc (BZ)



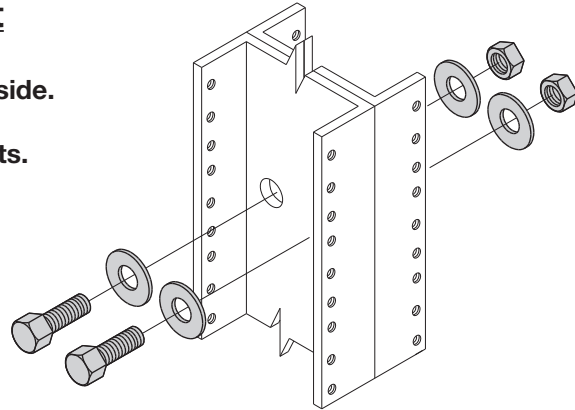
Part Number	Weight	
	Lbs.	(kg)
SB58604___	0.40	(0.18)



Popular Bee List item

Network Equipment Rack Junction Kit

- Use to join two network equipment racks side by side.
- Includes: (4) 3/8"-16 x 1" (25mm) HHCS, (8) 3/8" flat washers and (4) 3/8"-16 hex nuts.
- Finish___: Yellow Zinc (YZ) or Black Zinc (BZ)



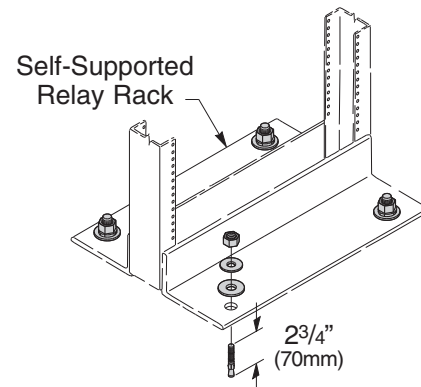
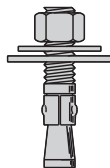
Part Number	Weight	
	Lbs.	(kg)
SB58704___	0.25	(0.11)



Popular Bee List item

Network Equipment Rack Anchor Kit

- Use for anchoring network equipment racks to concrete.
- Includes: 3/8"-16 x 2 3/4" (70mm) wedge anchors and hardware.
- Finish: Clear Zinc (ZN)



Part Number	Relay Rack Type	Anchor Quantity	Weight	
			Lbs.	(kg)
SB588A	Self Supported	4	0.46	(0.21)



For additional anchoring options, see page 259.



Popular Bee List item