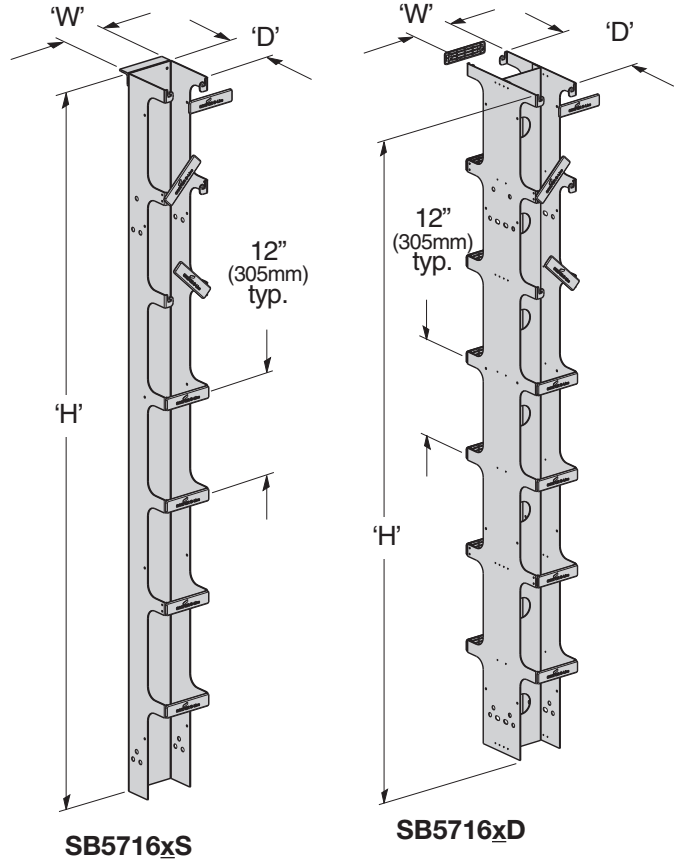






Rack Mounted Vertical Cabling Section Dual Hinging Removable Plastic Gate Style

- Use to provide vertical cable management between equipment racks.
- Available in both single and double sided.
- Convenient dual hinging, removable gates are designed for quick and easy cable installation.
- Edges radius milled to protect cables.
- Packages assembled in protective carton suitable for parcel shipment.
- Fits 3" (76mm) or 6" (152mm) upright web equipment racks.
- Includes: 1/2"-13 mounting hardware.
- Material: 5052-H32 aluminum
- Finish __: Brushed (AL),
Telco Gray Powder Coat (TG) or
Flat Black Powder Coat (FB)
(Other finishes available upon request)
- Ordering: Specify part number and finish abbreviation.



CABLE MANAGEMENT

Accessory Part Number	Type of Kit
SB571BUSHINGKIT	Bushing Kit
SB571GROMMETKIT	Grommet Kit

Part Number	Height 'H'		Depth 'D'		Width 'W'		Weight	
	In.	(mm)	In.	(mm)	In.	(mm)	Lbs.	(kg)
 SB57163S084__	84"	(2133)	6 ³ / ₈ "	(162)	3 ⁵ / ₈ "	(92)	8.0	(3.6)
 SB57163D084__	84"	(2133)	12 ³ / ₄ "	(324)	3 ⁵ / ₈ "	(92)	24.1	(10.9)
 SB57166S084__	84"	(2133)	6 ³ / ₈ "	(162)	6"	(152)	10.6	(4.8)
 SB57166D084__	84"	(2133)	12 ³ / ₄ "	(324)	6"	(152)	25.0	(11.3)
SB57163S096__	96"	(2438)	6 ³ / ₈ "	(162)	3 ⁵ / ₈ "	(92)	9.6	(4.3)
SB57163D096__	96"	(2438)	12 ³ / ₄ "	(324)	3 ⁵ / ₈ "	(92)	26.5	(12.0)
SB57166S096__	96"	(2438)	6 ³ / ₈ "	(162)	6"	(152)	12.1	(5.5)
SB57166D096__	96"	(2438)	12 ³ / ₄ "	(324)	6"	(152)	28.6	(13.0)
SB57163S108__	108"	(2743)	6 ³ / ₈ "	(162)	3 ⁵ / ₈ "	(92)	19.0	(8.6)
SB57163D108__	108"	(2743)	12 ³ / ₄ "	(324)	3 ⁵ / ₈ "	(92)	32.0	(14.5)
SB57166S108__	108"	(2743)	6 ³ / ₈ "	(162)	6"	(152)	21.0	(9.5)
SB57166D108__	108"	(2743)	12 ³ / ₄ "	(324)	6"	(152)	36.0	(16.3)

 FB & AL are popular Bee List items