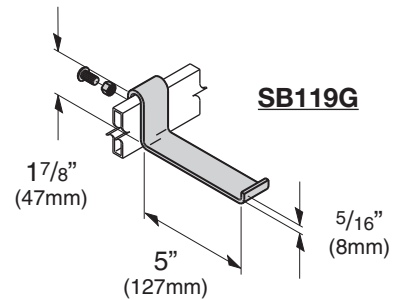
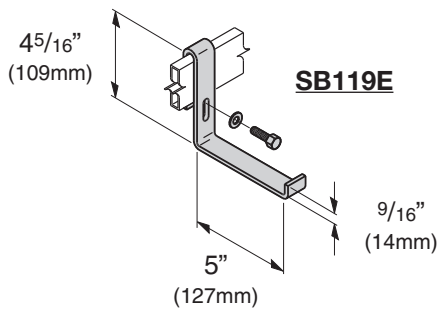
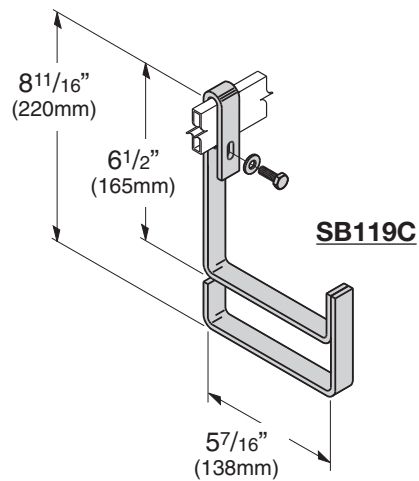
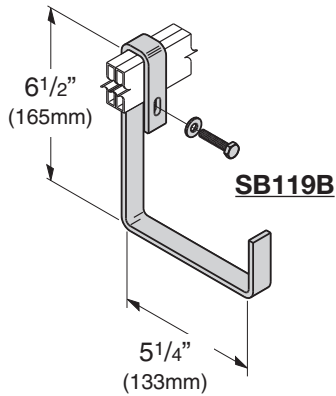
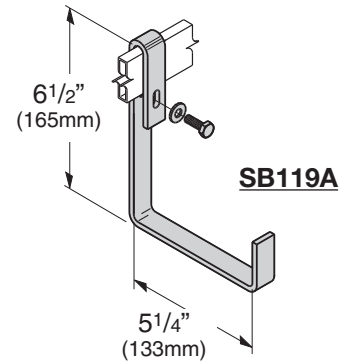






Power Cable Supports

- Use to support power cable under cable runway.
- Use with 1 1/2" (38mm) or 2" (51mm) stringers.
- Designed for cable runway stringers.
- Includes: 1/4"-20 hardware.
- Material: ASTM A36 structural steel
- Finish___: Yellow Zinc (YZ),
Flat Black Powder Coat (FB) or
Telco Gray Powder Coat (TG)



Part Number	Stringer Style	Material Thickness		Weight	
		In.	(mm)	Lbs.	(kg)
 SB119A___	Single	3/16" x 1 1/4"	(4.7 x 32)	0.69	(0.31)
SB119B___	Dual	3/16" x 1 1/4"	(4.7 x 32)	0.71	(0.32)
 SB119C___	Single	3/16" x 1 1/4"	(4.7 x 32)	1.14	(0.51)
 SB119E___	Single	3/16" x 1 1/4"	(4.7 x 32)	0.73	(0.33)
 SB119G___	Single	1/8" x 1"	(3 x 25)	0.34	(0.15)

 FB & YZ are popular Bee List items