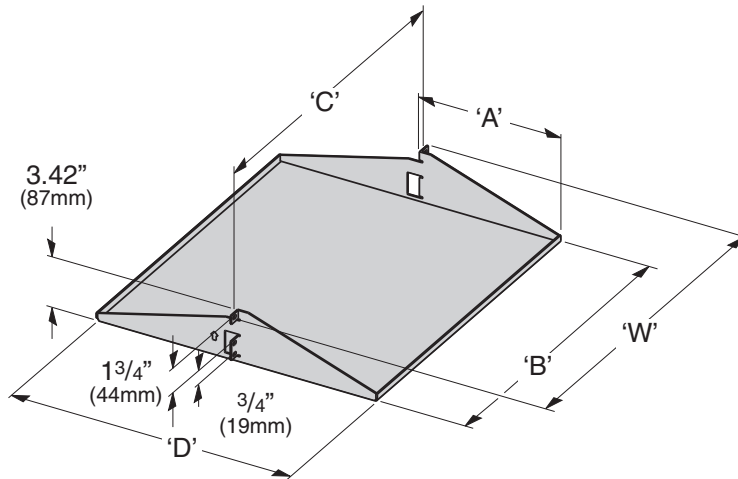
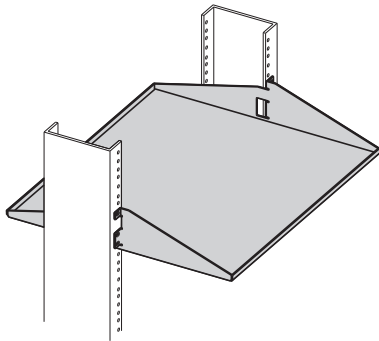


Low Profile Rack Mounted Shelf

Solid Shelf

- Use to center mount networking or other equipment.
- Designed to work with the following mounting spaces:
universal [5/8", 5/8", 1/2" (16mm, 16mm, 13mm)] spacing,
wide [1 1/4", 1/2" (32mm, 13mm)] spacing or 1/2" (25mm) spacing.
- Two mounting spaces required.
- 50 Lb. (.23kg) load capacity.
- Includes: #12-24 mounting hardware.
- UL 1863 Listed (File No. E171936) as a communications circuit accessory.
- Material: 0.090 thick 5052-H32 aluminum sheet or 14 Gauge ASTM 569 Steel
- Finish __: Aluminum - Brushed (AL)
Aluminum & Steel - Telco Gray Powder Coat (TG),
Flat Black Powder Coat (FB) or Silver Powder Coat (SL)
Other finishes are available upon request.
- Ordering: Specify part number and finish abbreviation.



Part Number	Mat'l.	Rack Width 'W'		'A'		'B'		'C'		'D'		Weight	
		In.	(mm)	In.	(mm)	In.	(mm)	In.	(mm)	(mm)	Lbs.	(kg)	
SB745S1916A__	Alum	19"	(482)	8"	(203)	17 1/4"	(438)	18 5/16"	(465)	16"	(406)	3.5	(1.6)
SB745S1916S__	Steel	19"	(482)	8"	(203)	17 1/4"	(438)	18 5/16"	(465)	16"	(406)	10.1	(4.6)
SB745S1919A__	Alum	19"	(482)	9 1/2"	(241)	17 1/4"	(438)	18 5/16"	(465)	19"	(482)	4.1	(1.8)
SB745S1919S__	Steel	19"	(482)	9 1/2"	(241)	17 1/4"	(438)	18 5/16"	(465)	19"	(482)	11.8	(5.3)
SB745S2316A__	Alum	23"	(584)	8"	(203)	21 1/4"	(540)	22 5/16"	(567)	16"	(406)	4.1	(1.8)
SB745S2316S__	Steel	23"	(584)	8"	(203)	21 1/4"	(540)	22 5/16"	(567)	16"	(406)	11.8	(5.3)
SB745S2319A__	Alum	23"	(584)	9 1/2"	(241)	21 1/4"	(540)	22 5/16"	(567)	19"	(482)	4.9	(2.2)
SB745S2319S__	Steel	23"	(584)	9 1/2"	(241)	21 1/4"	(540)	22 5/16"	(567)	19"	(482)	14.2	(6.4)



FB is a popular Bee List item