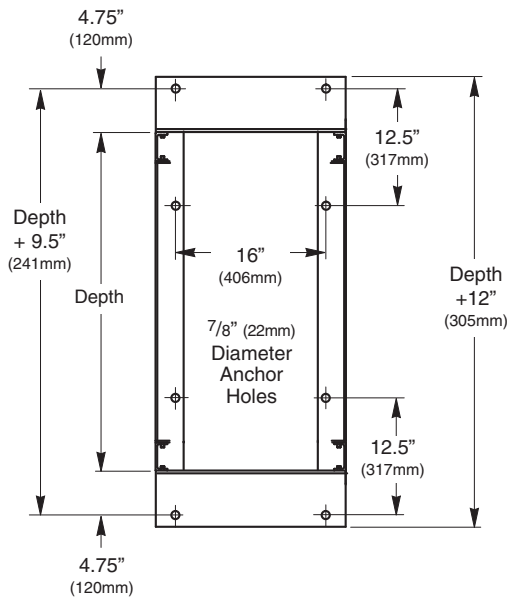
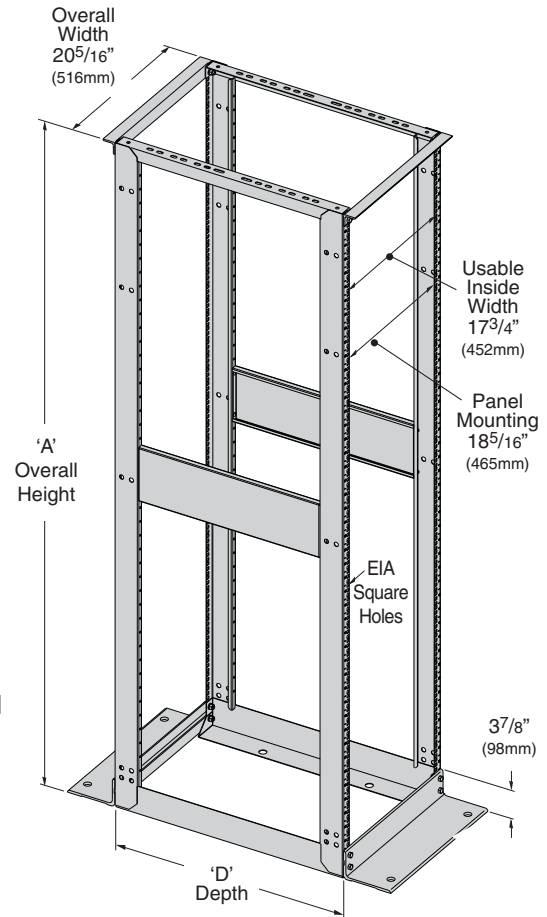


Four Post Server Rack 19" Panel Mounting

- Open 4-post frame with 19" EIA square hole 14 gauge steel mounting rails designed to provide nearly 360 degrees of accessibility and unrestricted heat flow.
- Available in 84" (2133mm) height, 45 rack mount units (RMU).
- 'C' shaped EIA square hole universal rails accept M6, #10-32, or #12-24 cage nuts.
- Permanently stamped rack mount unit (RMU) markings included.
- Load rating: 1000 lbs. (459kg) capacity, evenly distributed along rack height.
- Ships unassembled in protective carton suitable for parcel shipment.
- Assembles in about 20 minutes using standard hand tools.
- UL Listed (File No. E171936) as a communications circuit accessory.
- Conformance to EIA-310-D.
- Top depth rails are pre-drilled for runway attachment.
- SB836 4-Post Kit includes: (4) Mounting Rails, (2) Top Depth Rails, (2) Bottom Depth Rails, (2) Base Angles, (2) Top Angles, (2) Center Braces, and required hardware and installation instructions.
- Finishes__: Flat Black Powder Coat (FB) or Telco Gray Powder Coat (TG)
Other finishes are available upon request



For Mounting Rail
Junction Hole
Pattern
on 84" tall rails
See page 12.



19" EIA Mounting Square Hole Rail Design Universal Spacing [$5/8$ " (16mm), $5/8$ " (16mm), $1/2$ " (13mm)]

Part Number	'A' Height		'W' Overall Width		'D' Depth		Shipping Weight	
	In.	(mm)	In.	(mm)	In.	(mm)	Lbs.	(kg)
SB8361908418	84"	(2133)	20 ⁵ / ₁₆ "	(516)	18"	(457)	58.0	(26.3)
SB8361908424	84"	(2133)	20 ⁵ / ₁₆ "	(516)	24"	(609)	62.0	(28.1)
SB8361908429	84"	(2133)	20 ⁵ / ₁₆ "	(516)	29"	(736)	67.7	(30.7)
SB8361908436	84"	(2133)	20 ⁵ / ₁₆ "	(516)	36"	(914)	70.0	(31.7)



FB is a popular Bee List item