

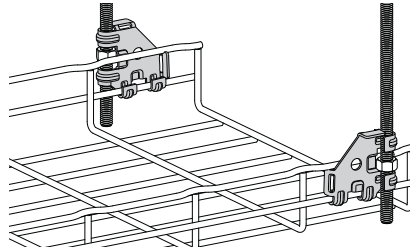
FLEXTRAY® Ceiling Support Methods

Flip Clip™

- Accommodates 1/4" and 3/8" rod sizes
- Installs quickly with a screwdriver or pliers thus reducing installation time
- Requires only one hex nut (not included) to hang and level the Flextray
- Retainer tabs can be bent over to lock-in the threaded rod and wire basket
- Finishes __: **ZN**, FB, SS6

Part Number	Description	Qty./Box	Wt./Box	
			lbs.	kg
WB46H__	Flip Clip	50	5.2	2.36

Snap retainer stops in place after cable is loaded.

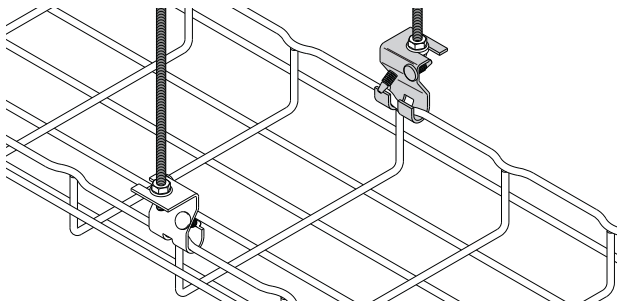


Trapeze Support

- Trapeze Clip installs fast
- For use with trays up to 4" (100mm) deep, 12" (300mm) wide, and spans up to 8'-0" (2.44m)
- Tray can be released from support to allow side cable loading
- Accepts 1/4" and 3/8" threaded rod sizes
- Finishes __: **GS**, BLE, SPC

Part Number	Description	Qty./Box	Wt./Box	
			lbs.	kg
TRAPEZE SUPT2__	Trapeze Support Clip	50 trapeze clips 100 retainer stops	7.0	3.17

Snap retainer stops in place after cable is loaded.

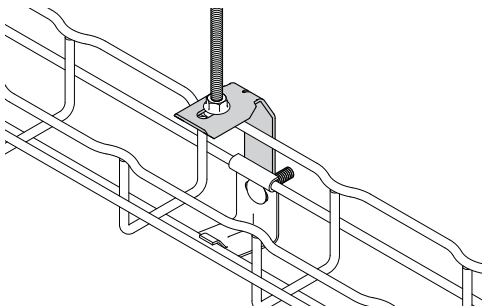


2" Center Hanger

- For use with 2" (50mm) tray widths only
- Accepts 1/4" threaded rod
- Hardware sold separately
- Finishes __: **GS**, BLE, SPC

Part Number	Description	Qty./Box	Wt./Box	
			lbs.	kg
2 IN CTR SUPT__	Center Support Hanger for FT2x2	50	5.0	2.27

Assemble with ATTACHMENT CLP & FTHDWE 1/4 hardware.



See page 5 for finish information