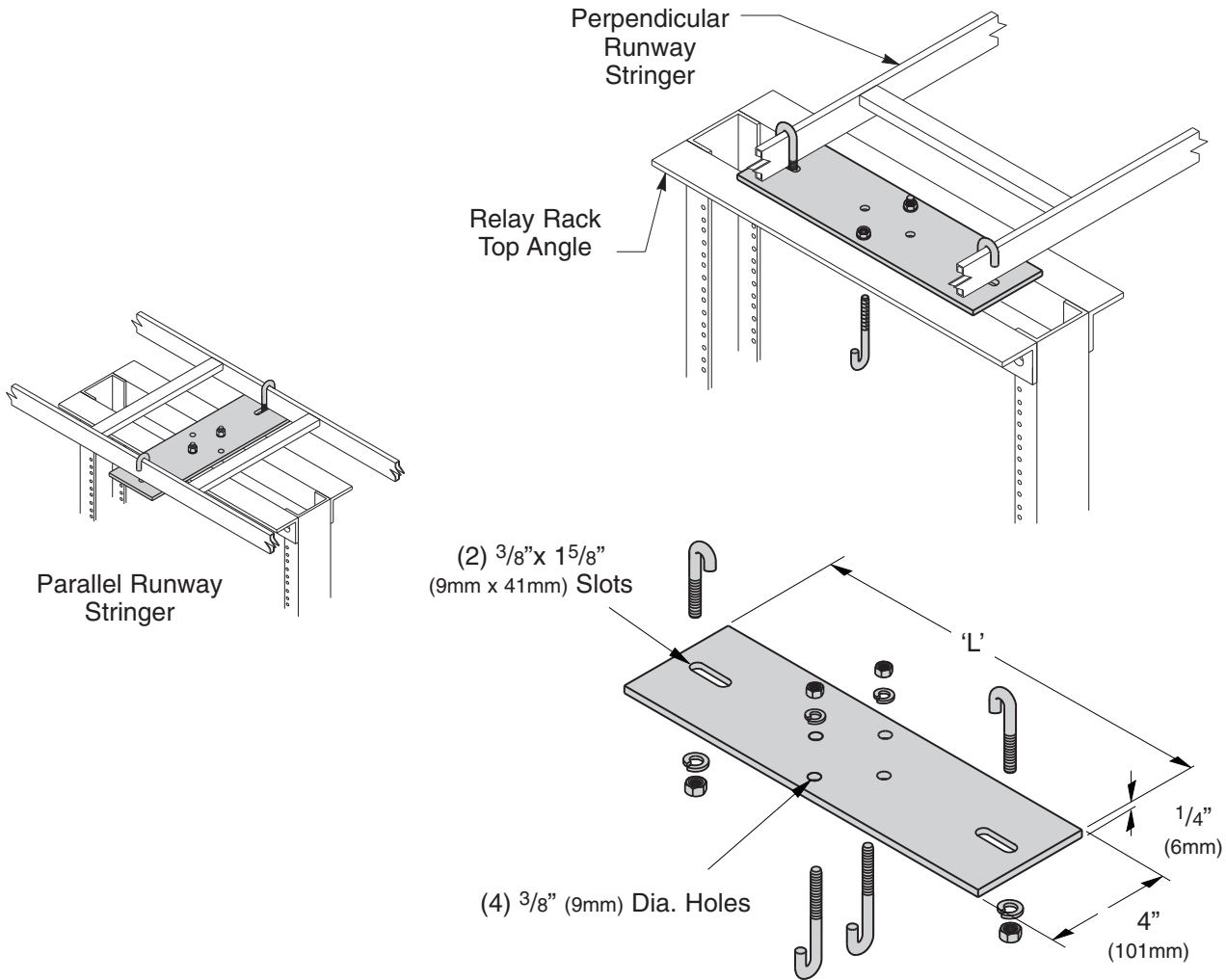


3" Upright Network Equipment Rack Top Plate Runway Support Kit

- Use to secure cable runway to top angles of network equipment rack.
- Accommodates runway in parallel or perpendicular arrangement.
- Includes: (1) mounting plate, (4) 'J' bolts with $\frac{5}{16}$ "-18 hardware.
- Material: ASTM A36 structural steel
- Finish__: Yellow Zinc (YZ),
Telco Gray Powder Coat (TG), or
Flat Black Powder Coat (FB)
(Other finishes are available upon request)



CABLE RUNWAYS & ACCESSORIES

Part Number	Runway Width 'W'		Length 'L'		Weight	
	In.	(mm)	In.	(mm)	Lbs.	(kg)
SB213309__	6" - 9"	(152 - 228)	9 ³ / ₈ "	(238)	3.4	(1.5)
SB213312__	8" - 12"	(203 - 305)	12 ³ / ₈ "	(314)	4.3	(2.0)
SB213318__	14" - 18"	(355 - 457)	18 ³ / ₈ "	(467)	6.1	(2.8)
SB213324__	20" - 24"	(508 - 609)	24 ³ / ₈ "	(619)	12.5	(5.7)

 FB, TG & YZ are popular Bee List items