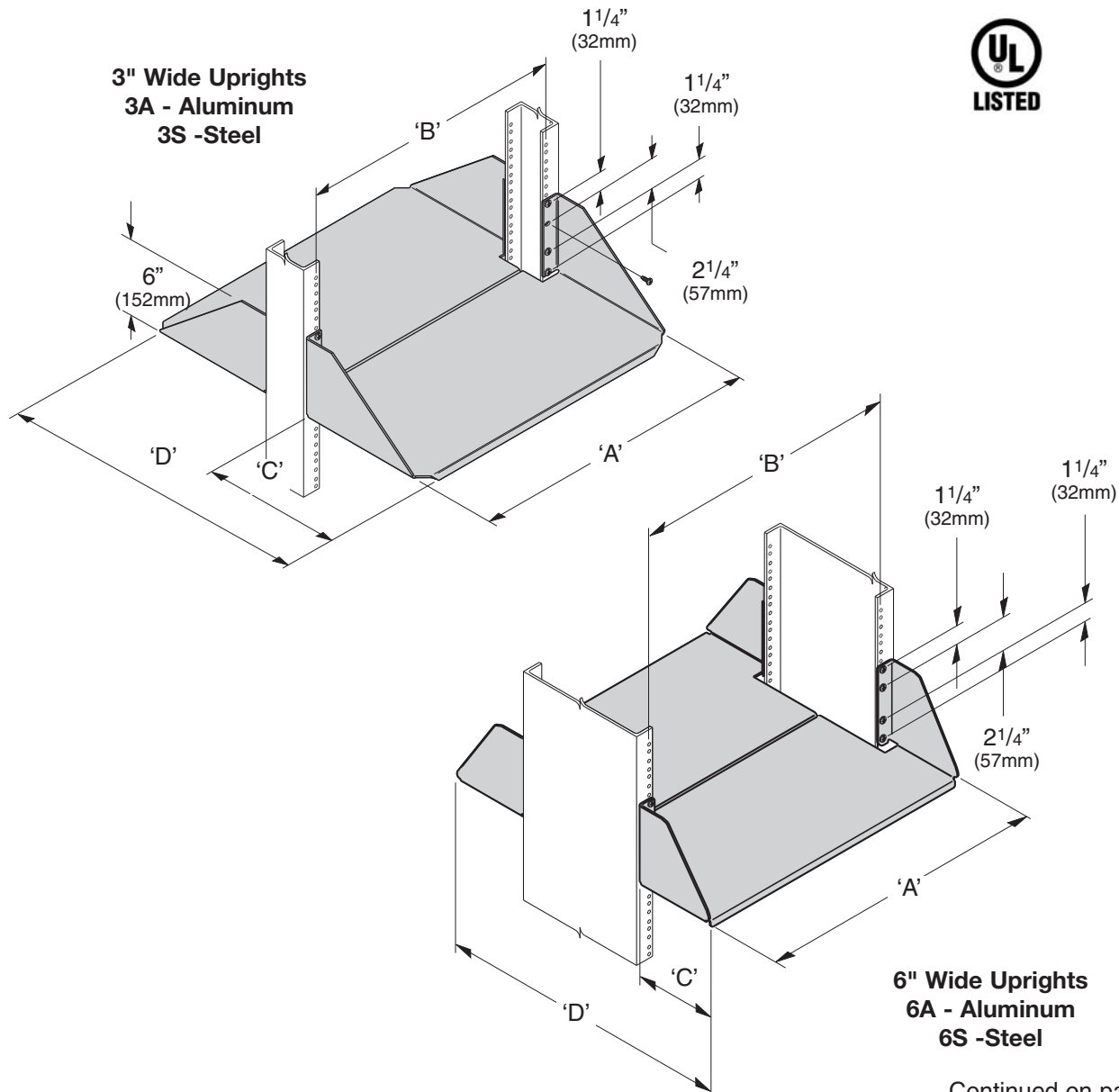


Double Sided Rack Mounted Shelf





Heavy Duty, Solid Shelf

- Use to support large monitors, CPU's or printers.
- Four (4) mounting spaces required.
- 200 Lbs. (91kg) load capacity (when used as shown).
- Includes: (2) shelves and #12-24 mounting hardware.
- UL 1863 Listed (File No. E171936) as a communications circuit accessory.
- Can be mounted individually or matched, front and rear, for larger shelf area.
- Material: 0.090 thick 5052-H32 aluminum sheet or 14 Gauge ASTM 569 Steel
- Finish __: Aluminum - Brushed (AL)
Aluminum & Steel - Telco Gray Powder Coat (TG), Flat Black Powder Coat (FB) or Silver Powder Coat (SL)
Other finishes are available upon request.
- Ordering: Specify part number and finish abbreviation.



Continued on page 31.

Double Sided Rack Mounted Shelf Heavy Duty, Solid Shelf

| Part Number | Mat'l. | 'A' Shelf Width | | 'B' Panel Mtg. | | 'C' | | 'D' Overall Depth | | Weight | |
|--|--------|-----------------------------------|-------|-----------------------------------|-------|----------------------------------|-------|-------------------|-------|--------|-------|
| | | In. | (mm) | In. | (mm) | In. | (mm) | In. | (mm) | Lbs. | (kg) |
| 19" (482mm) Rack Width 3" (76mm) Wide Uprights | | | | | | | | | | | |
|  SB596S19103A__ | Alum | 19 ⁵ / ₁₆ " | (490) | 18 ⁵ / ₁₆ " | (465) | 8 ¹ / ₂ " | (216) | 20" | (508) | 5.0 | (2.2) |
|  SB596S19103S__ | Steel | 19 ⁵ / ₁₆ " | (490) | 18 ⁵ / ₁₆ " | (465) | 8 ¹ / ₂ " | (216) | 20" | (508) | 14.4 | (6.5) |
|  SB596S19153A__ | Alum | 19 ⁵ / ₁₆ " | (490) | 18 ⁵ / ₁₆ " | (465) | 13 ¹ / ₂ " | (343) | 30" | (762) | 6.0 | (2.7) |
|  SB596S19153S__ | Steel | 19 ⁵ / ₁₆ " | (490) | 18 ⁵ / ₁₆ " | (465) | 13 ¹ / ₂ " | (343) | 30" | (762) | 17.3 | (7.8) |
| 19" (482mm) Rack Width 6" (152mm) Wide Uprights | | | | | | | | | | | |
| SB596S19106A__ | Alum | 19 ⁵ / ₁₆ " | (490) | 18 ⁵ / ₁₆ " | (465) | 7" | (178) | 20" | (508) | 5.0 | (2.2) |
| SB596S19106S__ | Steel | 19 ⁵ / ₁₆ " | (490) | 18 ⁵ / ₁₆ " | (465) | 7" | (178) | 20" | (508) | 14.4 | (6.5) |
| SB596S19156A__ | Alum | 19 ⁵ / ₁₆ " | (490) | 18 ⁵ / ₁₆ " | (465) | 12" | (305) | 30" | (762) | 6.0 | (2.7) |
| SB596S19156S__ | Steel | 19 ⁵ / ₁₆ " | (490) | 18 ⁵ / ₁₆ " | (465) | 12" | (305) | 30" | (762) | 17.3 | (7.8) |
| 23" (584mm) Rack Width 3" (76mm) Wide Uprights | | | | | | | | | | | |
| SB596S23103A__ | Alum | 23 ⁵ / ₁₆ " | (643) | 22 ⁵ / ₁₆ " | (567) | 8 ¹ / ₂ " | (216) | 20" | (508) | 5.2 | (2.8) |
| SB596S23103S__ | Steel | 23 ⁵ / ₁₆ " | (643) | 22 ⁵ / ₁₆ " | (567) | 8 ¹ / ₂ " | (216) | 20" | (508) | 15.0 | (6.8) |
| SB596S23153A__ | Alum | 23 ⁵ / ₁₆ " | (643) | 22 ⁵ / ₁₆ " | (567) | 13 ¹ / ₂ " | (343) | 30" | (762) | 7.2 | (3.2) |
| SB596S23153S__ | Steel | 23 ⁵ / ₁₆ " | (643) | 22 ⁵ / ₁₆ " | (567) | 13 ¹ / ₂ " | (343) | 30" | (762) | 20.8 | (9.4) |
| 23" (584mm) Rack Width 6" (152mm) Wide Uprights | | | | | | | | | | | |
| SB596S23106A__ | Alum | 23 ⁵ / ₁₆ " | (643) | 22 ⁵ / ₁₆ " | (567) | 7" | (178) | 20" | (508) | 5.2 | (2.8) |
| SB596S23106S__ | Steel | 23 ⁵ / ₁₆ " | (643) | 22 ⁵ / ₁₆ " | (567) | 7" | (178) | 20" | (508) | 15.0 | (6.8) |
| SB596S23156A__ | Alum | 23 ⁵ / ₁₆ " | (643) | 22 ⁵ / ₁₆ " | (567) | 12" | (305) | 30" | (762) | 7.2 | (3.2) |
| SB596S23156S__ | Steel | 23 ⁵ / ₁₆ " | (643) | 22 ⁵ / ₁₆ " | (567) | 12" | (305) | 30" | (762) | 20.8 | (9.4) |

Finish __: Aluminum - Brushed (AL)
Aluminum & Steel - Telco Gray Powder Coat (TG), Flat Black Powder Coat (FB) or Silver Powder Coat (SL)



FB & AL are popular Bee List items