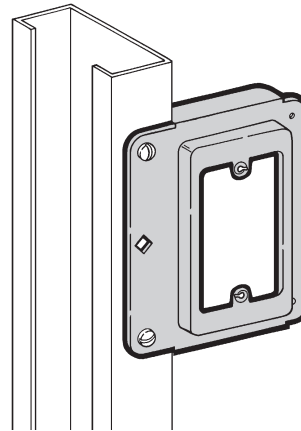


Cover Plate Mounting Bracket

- Provides attachment base for low voltage outlets: antenna, audio, computer, telephone and security
- Locates communication outlets before drywall is installed
- Attaches to metal studs with screws (not included)
- Replaces electrical box in Class 2 low voltage installations
- For 1/2" and 5/8" drywall applications
- Finish: Pre-galvanized



Part Number	Wt. Per 100	
	Lbs.	(kg)
BB15	13.8	(6.2)

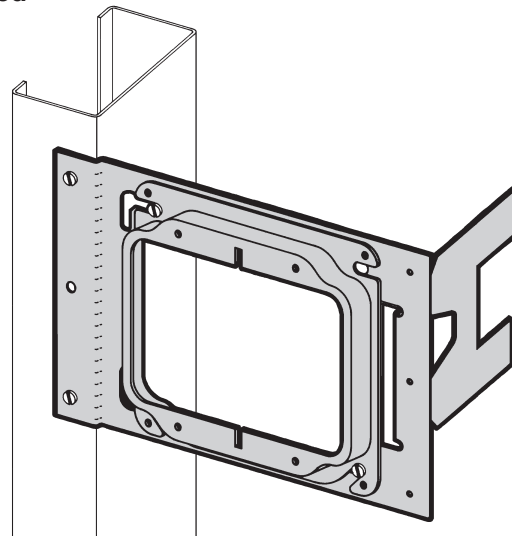


Popular Bee List item



Cover Plate Mounting Bracket

- Provides attachment base for low voltage outlets: antenna, audio, computer, telephone and security
- Locates communication outlets before drywall is installed
- Attaches to metal studs with screws (not included)
- Heavy-duty double gang design with far side support
- Finish: Pre-galvanized

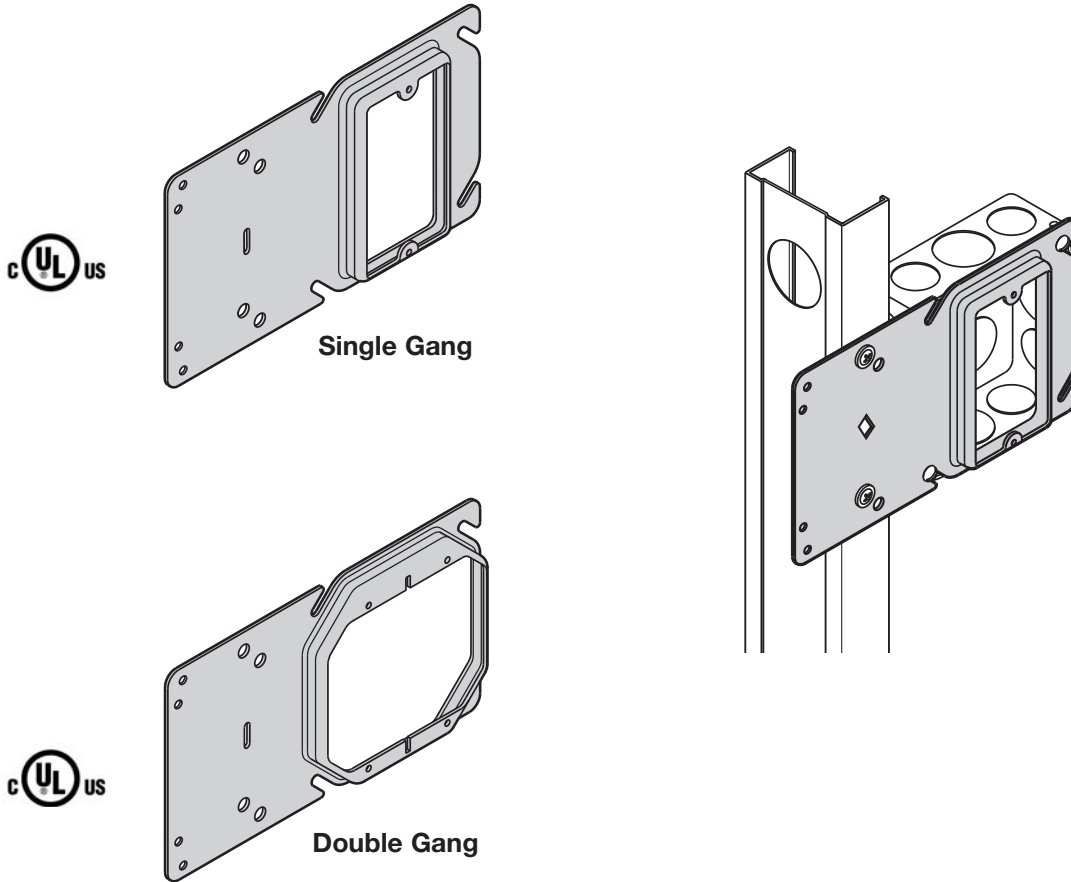


Part Number	Drywall Thickness		Wt. Per 100	
	In.	(mm)	Lbs.	(kg)
BB25	1/2"	(13)	32.0	(14.5)
BB25-10	5/8"	(16)	35.2	(15.9)



Uni-Mount™ Box Support/Cover Plate Mounting Brackets

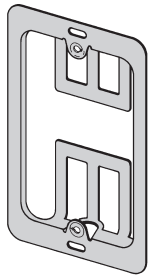
- Uni-Mount™ offers a secure box support for 4" square boxes and features a built-in plaster ring
- Rigid bracket design eliminates the need for far-side support
- Replaces electrical boxes in Class 2 low voltage installations
- Guide tabs ensure consistent alignment on studs
- Finish: Pre-galvanized



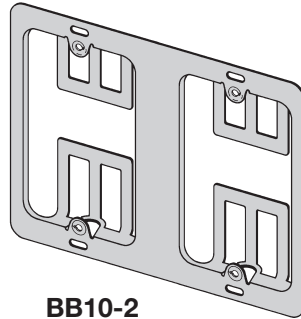
Part Number	Description	Wt. Per 100	
		Lbs.	(kg)
Single Gang			
BB40-8	1/2" Raise	46.0	(20.8)
BB40-10	5/8" Raise	46.0	(20.8)
BB40-12	3/4" Raise	50.0	(22.7)
Double Gang			
BB45-8	1/2" Raise	38.0	(17.2)
BB45-10	5/8" Raise	39.2	(17.8)
BB45-12	3/4" Raise	40.4	(18.3)

Cover Plate Mounting Brackets

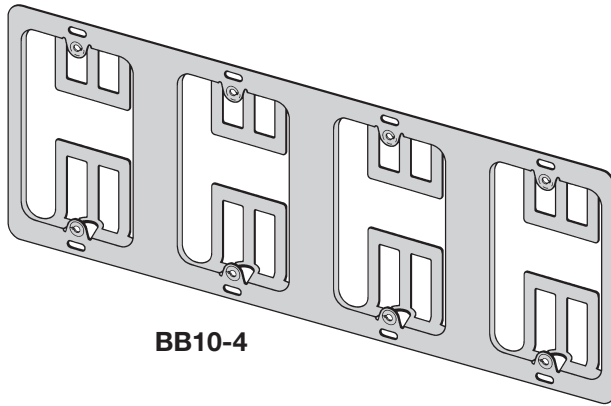
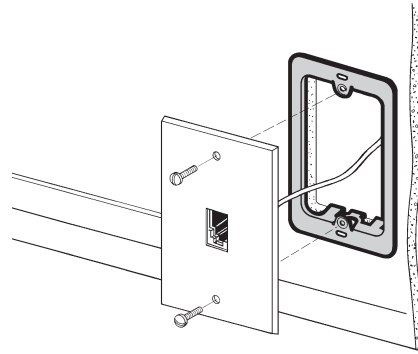
- Replaces electrical box in Class 2 low voltage installations
- Provides attachment base for low voltage outlets: antenna, audio, computer, telephone and security
- New BB10 series design accepts Decora®* style cover plates
- Maximum 1 1/4" drywall thickness
- Finish: Pre-galvanized



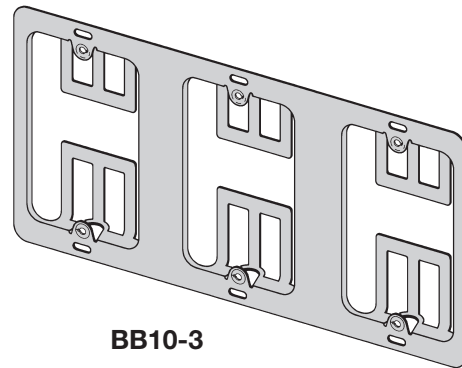
BB10



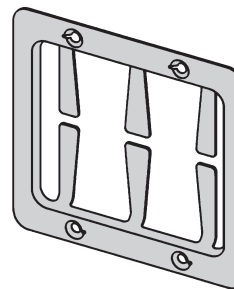
BB10-2



BB10-4



BB10-3



BB20

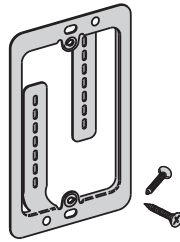
Part Number	Description	Wt. Per Pc.	
		Lbs.	(kg)
BB10	Single Gang Bracket	6.8	(3.1)
BB10-2	Mounts 2 Single Plates	14.0	(6.3)
BB10-3	Mounts 3 Single Plates	21.0	(9.5)
BB10-4	Mounts 4 Single Plates	28.0	(12.7)
BB20	Double Gang Bracket	8.0	(3.6)



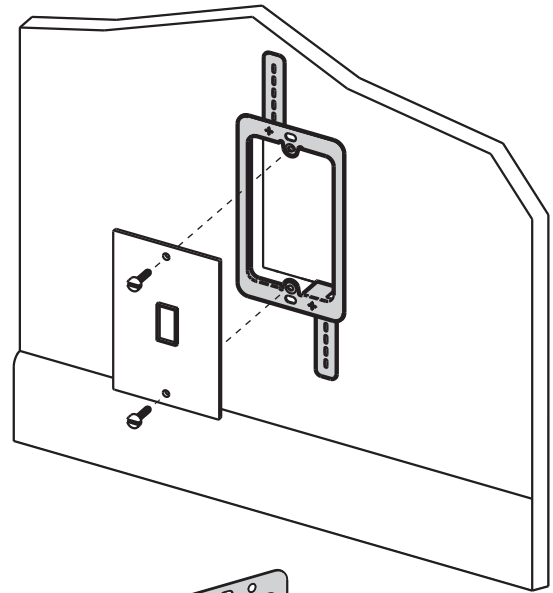
 Popular Bee List item

Cover Plate Mounting Brackets

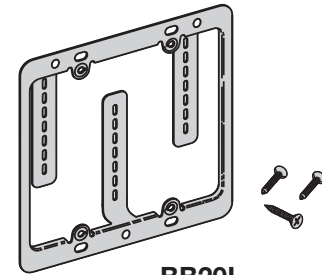
- Replaces electrical box in Class 2 low voltage installations
- Provides attachment base for low voltage outlets: antenna, audio, computer, telephone and security
- Provides rigid support when installed with screws that are provided
- Maximum 1 1/4" (31.7mm) drywall thickness
- Finish: Pre-galvanized



BB10L



Part Number	Description	Wt. Per Pc.	
		Lbs.	(kg)
BB10L	Single Gang Bracket	7.6	(3.4)
BB20L	Double Gang Bracket	10.4	(4.7)

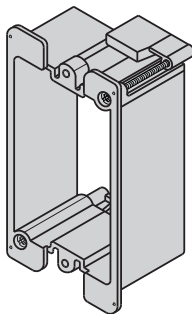


BB20L

Popular Bee List item

Plastic Cover Plate Mounting Bracket

- Provides attachment base for low voltage outlets
- Replaces electrical box in Class 2 low voltage installations
- Design eliminates sharp edges from bracket
- Maximum wall thickness: 3/4"



Part Number	Wt. Per 100	
	Lbs.	(kg)
BB10P	6.0	(2.7)

Popular Bee List item

