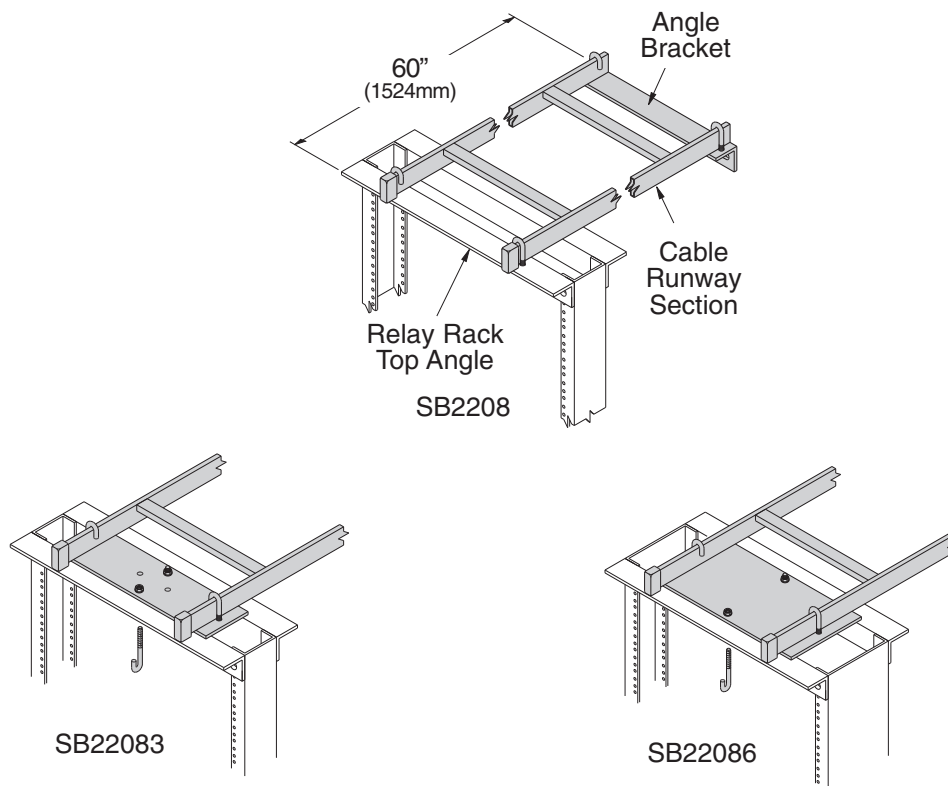


Network Equipment Rack Wall Support Kit

- Use to stabilize top end of relay rack 60" (1524mm) from wall.
- All kits include: (1) 12" (305mm) wide x 60" (1524mm) long runway section, (1) wall mounted angle bracket, (2) runway stringer end caps, and the required number of J-Bolts and hardware.
- SB22083 comes with a 3" rack depth rack to runway mounting plate.
- SB22086 comes with a 6" rack depth rack to runway mounting plate.
- SB2208 requires drilling of rack top angle.
- Order anchor hardware (for wall) separately.
- Material: ASTM A36 structural steel
- Finish ___: Yellow Zinc (YZ), Flat Black Powder Coat (FB) or Telco Gray Powder Coat (TG)
Other finishes are available upon request.



Part Number	Rack Depth		Support Type		Weight	
	In.	(mm)	In.	(mm)	Lbs.	(kg)
SB22083	3"	(76)	12" Runway	(305) Runway	20.0	(9.1)
SB22086	6"	(152)	12" Runway	(305) Runway	23.0	(10.5)
SB2208	Universal		12" Runway	(305) Runway	15.0	(6.8)

 FB is a popular Bee List item