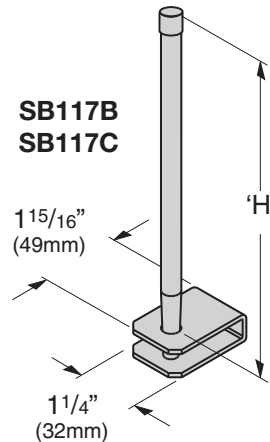
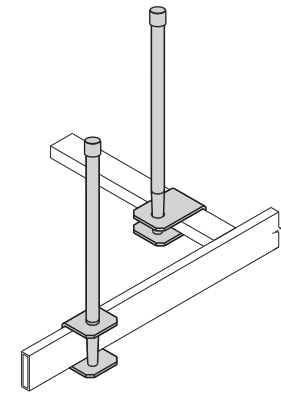
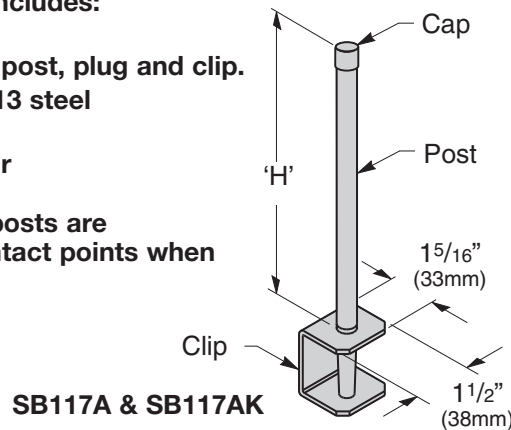


Cable Retaining Post

- Use to increase cable capacity fill of runway.
- Self wedging design locks post on runway.
- SB117A, SB117B & SB117C includes: (1 each) post, plug and clip.
- SB117AK includes: (14 each) post, plug and clip.
- Material: ASTM A569 and A513 steel
- Finish___: Yellow Zinc (YZ), Black Zinc (BZ) or

Note: Powder coated retaining posts are subject to scratching at clip contact points when installed.

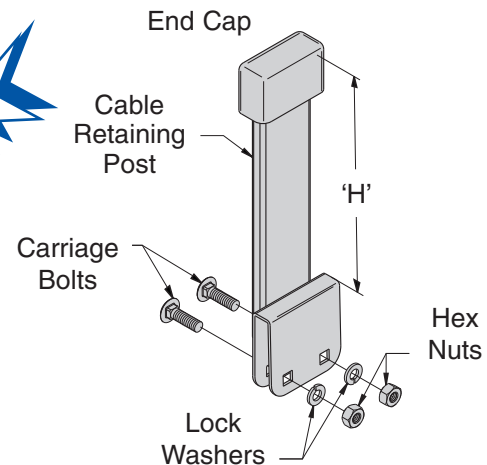


Part Number	'H' Height		Fits	Qty.	Weight	
	In.	(mm)			Lbs.	(kg)
SB117A___	7"	(178)	3/8" x 1 1/2" (9mm x 38mm) Runway	1	0.35	(0.15)
SB117AK___	7"	(178)	3/8" x 1 1/2" (9mm x 38mm) Runway	14	4.90	(2.22)
SB117B___	8"	(203)	1/2" x 1" (12mm x 25mm) Rung	1	0.35	(0.15)
SB117C___	8"	(203)	3/8" x 1 1/2" (9mm x 38mm) Rung	1	0.35	(0.15)

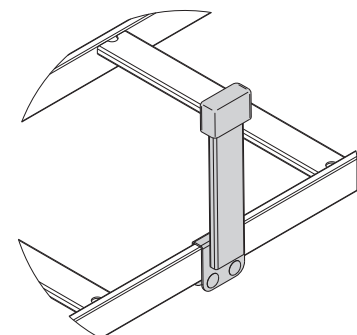
Cable Retaining Post

- Use to increase cable capacity fill of runway.
- Mounts directly to cable runway stringers.
- Made from a 1 1/2" x 3/8" (38mm x 9mm) tubular steel post welded to a stringer mounting bracket.
- Kits include: (1) cable retaining post, 1/4" mounting hardware and neoprene end cap.
- Available in three (3) heights
- Finish___: Yellow Zinc (YZ), Flat Black (FB) or Telco Gray Powder Coat (TG)

Note: Powder coated retaining posts are subject to scratching at clip contact points when installed.



Part Number	'H' Height		Fits	Weight	
	In.	(mm)		Lbs.	(kg)
SB12606___	6"	(152)	3/8" x 1 1/2" (9mm x 38mm) Stringer	0.70	(0.32)
SB12608___	8"	(203)	3/8" x 1 1/2" (9mm x 38mm) Stringer	0.80	(0.36)
SB12610___	10"	(254)	3/8" x 1 1/2" (9mm x 38mm) Stringer	0.92	(0.42)



 BZ & YZ are popular Bee List items