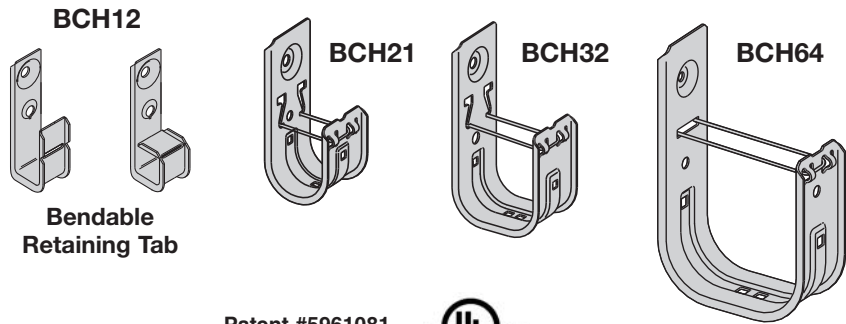
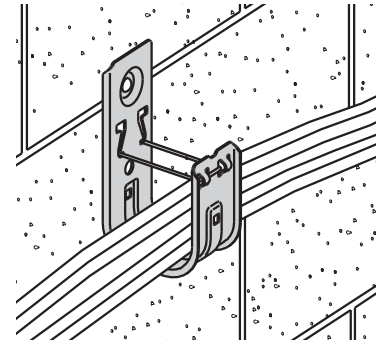


Cable Hooks

- Supports all category 5/5e/6, fiber optic, innerduct and low voltage cabling requirements
- Finish is Pre-Galvanized Steel
- Static Load Capacity: 30 Lbs. (13.6kg)
- Exclusive Qwik-Latch™ cable retainers provide secure containment of cables and are included in each box of cable hooks
- Quick open and close design for adding and removing cable runs
- Plenum-rated Qwik-Latch™ is more economical than plenum-rated cable ties



Patent #5961081



Part Number	Hook Size		Capacity	Wt. Per 100	
	In.	(mm)		Lbs.	(kg)
BCH12	3/4"	(19.0)	16 4-Pair UTP	7.0	(3.2)
BCH21	15/16"	(33.3)	50 4-Pair UTP	15.4	(7.0)
BCH32	2"	(50.8)	80 4-Pair UTP	20.6	(9.3)
BCH64	4"	(101.6)	300 4-Pair UTP	56.0	(25.4)



Popular Bee List item

Painted Cable Hooks

- Powder coated cable hooks are available in a range of colors to help meet your cable identification requirements.
- Standard riveted assemblies are available with painted cable hooks.
- Part numbers can be made by adding the paint color suffix after the cable hook part number
- Minimum order quantity 500 pieces.
- Standard lead time is 5-10 working days.

Colors

- | | |
|---------------------|--------------------|
| Bright White - BW | Green - GR |
| Brown - BR | Orange - OR |
| Computer White - CW | Regal Red - RR |
| Equipment Blue - BL | Safety Yellow - YL |
| Flat Black - FB | Telcom Gray - TG |



Part # Example:

Painted Cable Hook Part Number - BCH32BW
Painted Cable Hook Assembly - BCH32BW-U24