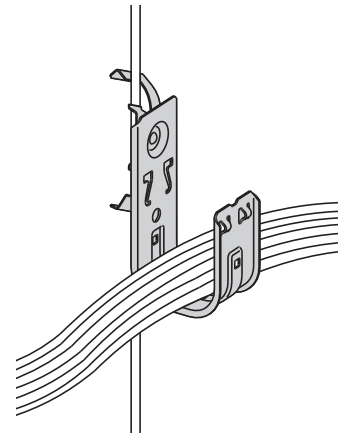


Cable To Rod Fasteners

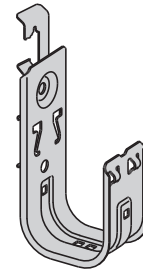
- Supports cable from #12 wire thru 3/8" threaded rod
- Qwik-Latch™ cable retainers included (not shown on drawings)
- Designed to accept cable ties
- Static Load Capacity: 25 Lbs. (11.3kg)
- W2 series attaches to #12 wire thru 1/4" plain or threaded rod
- W6 series attaches to 3/8" plain or threaded rod



Part Number	Hook Size		Wt. Per 100	
	In.	(mm)	Lbs.	(kg)
BCH12-W2	3/4"	(19.0)	10.0	(4.5)
BCH21-W2 *	15/16"	(33.3)	17.6	(8.0)
BCH32-W2 *	2"	(50.8)	23.4	(10.6)
BCH12-W6	3/4"	(19.0)	10.0	(4.5)
BCH21-W6 *	15/16"	(33.3)	17.8	(8.1)
BCH32-W6 *	2"	(50.8)	23.6	(10.7)

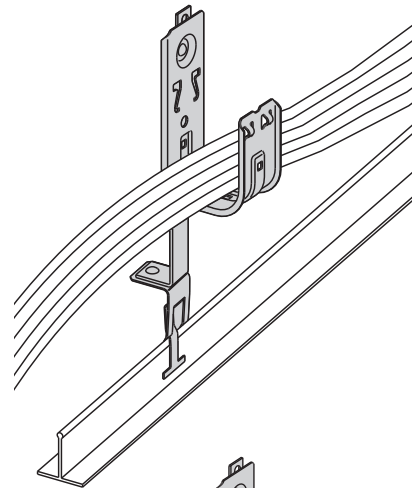
* For Xylan® coating, add "X" after cable hook part number. Ex: BCH32X-W6

Popular Bee List item



Cable To T-Bar Fasteners

- Supports cable above ceiling grid
- Qwik-Latch™ cable retainers included (not shown on drawings)
- Designed to accept cable ties
- 360° rotation allows cable to run in any direction
- Provides compliance with 1997 EIA/TIA standard 569-A
- Permits dropwire attachment if required
- Static Load Capacity: 30 Lbs. (13.6kg)



Part Number	Hook Size		Wt. Per 100	
	In.	(mm)	Lbs.	(kg)
BCH12-A28	3/4"	(19.0)	23.0	(10.4)
BCH21-A28 *	15/16"	(33.3)	30.6	(13.9)
BCH32-A28 *	2"	(50.8)	36.8	(16.7)

* For Xylan® coating, add "X" after cable hook part number. Ex: BCH32X-A28

