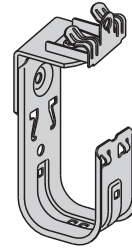
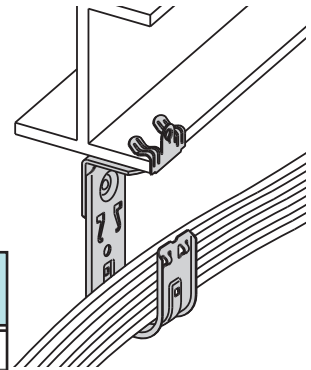


Cable To Beam Fasteners

- Permits fast and easy installation on beam flanges
- Qwik-Latch™ cable retainers included (not shown on drawings)
- Designed to accept cable ties
- Simply installed with a hammer
- Static Load Capacity: 30 Lbs. (13.6kg)



Allows 360° Rotation



Part Number	Hook Size		Flange Thickness		Wt. Per 100	
	In.	(mm)	In.	(mm)	Lbs.	(kg)
BCH12-U-2-4	3/4"	(19.0)	1/8" to 1/4"	(3.2 to 6.3)	35.0	(15.9)
BCH12-U-5-8	3/4"	(19.0)	5/16" to 1/2"	(7.9 to 12.7)	36.0	(16.3)
BCH12-U-9-12	3/4"	(19.0)	9/16" to 3/4"	(14.3to 19.0)	37.0	(16.8)
BCH21-U-2-4 *	1 5/16"	(33.3)	1/8" to 1/4"	(3.2 to 6.3)	40.4	(18.3)
BCH21-U-5-8 *	1 5/16"	(33.3)	5/16" to 1/2"	(7.9 to 12.7)	40.2	(18.2)
BCH21-U-9-12 *	1 5/16"	(33.3)	9/16" to 3/4"	(14.3to 19.0)	42.6	(19.3)
BCH32-U-2-4 *	2"	(50.8)	1/8" to 1/4"	(3.2 to 6.3)	44.6	(20.2)
BCH32-U-5-8 *	2"	(50.8)	5/16" to 1/2"	(7.9 to 12.7)	46.4	(21.0)
BCH32-U-9-12 *	2"	(50.8)	9/16" to 3/4"	(14.3to 19.0)	46.8	(21.2)
BCH64-U-2-4 *	4"	(101.6)	1/8" to 1/4"	(3.2 to 6.3)	98.0	(44.4)
BCH64-U-5-8 *	4"	(101.6)	5/16" to 1/2"	(7.9 to 12.7)	96.0	(43.5)
BCH64-U-9-12 *	4"	(101.6)	9/16" to 3/4"	(14.3to 19.0)	97.2	(44.1)

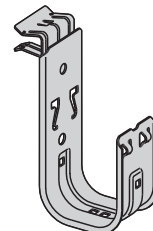
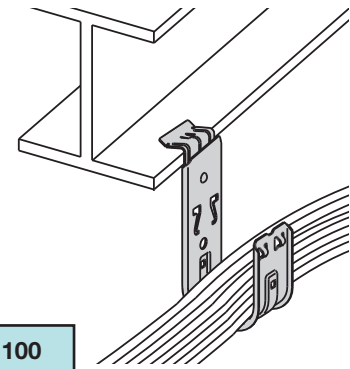
* For Xylan® coating, add "X" after cable hook part number. Ex: BCH32X-U-5-8



Popular Bee List item

Cable To Beam Fasteners

- Permits fast and easy installation on beam flanges
- Qwik-Latch™ cable retainers included (not shown on drawings)
- Designed to accept cable ties
- Simply installed with a hammer
- Static Load Capacity: 30 Lbs. (13.6kg)



Part Number	Hook Size		Flange Thickness		Wt. Per 100	
	In.	(mm)	In.	(mm)	Lbs.	(kg)
BCH12-E-2-4	3/4"	(19.0)	1/8" to 1/4"	(3.2 to 6.3)	11.0	(5.0)
BCH12-E-5-8	3/4"	(19.0)	5/16" to 1/2"	(7.9 to 12.7)	11.0	(5.0)
BCH12-E-9-12	3/4"	(19.0)	9/16" to 3/4"	(14.3to 19.0)	12.0	(5.4)
BCH21-E-2-4 *	1 5/16"	(33.3)	1/8" to 1/4"	(3.2 to 6.3)	18.4	(8.3)
BCH21-E-5-8 *	1 5/16"	(33.3)	5/16" to 1/2"	(7.9 to 12.7)	22.6	(10.2)
BCH21-E-9-12 *	1 5/16"	(33.3)	9/16" to 3/4"	(14.3to 19.0)	19.8	(9.0)
BCH32-E-2-4 *	2"	(50.8)	1/8" to 1/4"	(3.2 to 6.3)	23.8	(10.8)
BCH32-E-5-8 *	2"	(50.8)	5/16" to 1/2"	(7.9 to 12.7)	24.4	(11.0)
BCH32-E-9-12 *	2"	(50.8)	9/16" to 3/4"	(14.3to 19.0)	24.6	(11.1)

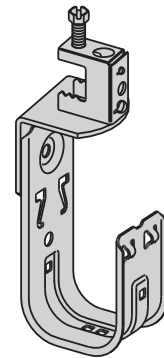
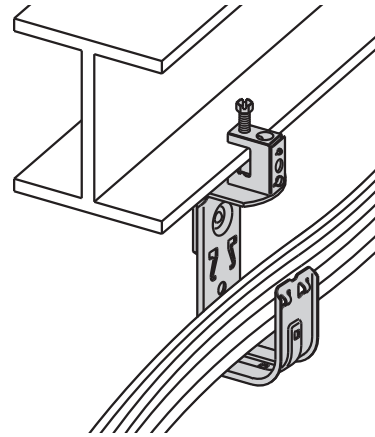
* For Xylan® coating, add "X" after cable hook part number. Ex: BCH32X-E-5-8



Popular Bee List item

Cable To Beam Fasteners

- 360° rotation allows cable to run in any direction
- Qwik-Latch™ cable retainers included (not shown on drawings)
- Designed to accept cable ties
- Simply installed with a screwdriver
- Static Load Capacity: 30 Lbs. (13.6kg)



Part Number	Hook Size		Flange Thickness	Wt. Per 100	
	In.	(mm)		Lbs.	(kg)
BCH12-C2	3/4"	(19.0)	Thru 1/2" (13mm)	17.4	(7.9)
BCH21-C2 *	15/16"	(33.3)	Thru 1/2" (13mm)	39.8	(18.0)
BCH32-C2 *	2"	(50.8)	Thru 1/2" (13mm)	45.0	(20.4)
BCH64-C2 *	4"	(101.6)	Thru 1/2" (13mm)	95.6	(43.3)



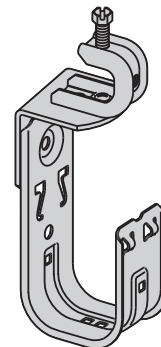
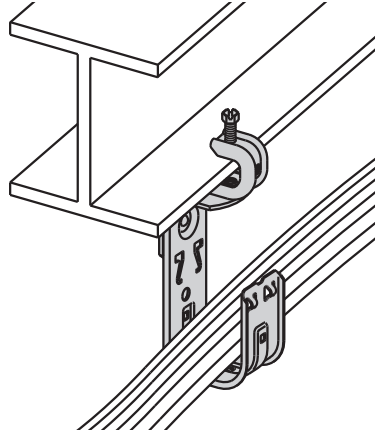
* For Xylan® coating, add "X" after cable hook part number. Ex: BCH32X-C2

Popular Bee List item



Cable To Beam Fasteners

- 360° rotation allows cable to run in any direction
- Qwik-Latch™ cable retainers included (not shown on drawings)
- Designed to accept cable ties
- Simply installed with a screwdriver
- Static Load Capacity: 30 Lbs. (13.6kg)



Part Number	Hook Size		Flange Thickness		Wt. Per 100	
	In.	(mm)	In.	(mm)	Lbs.	(kg)
BCH12-C442	3/4"	(19.0)	1/8" - 5/8"	(3 - 16)	23.5	(10.6)
BCH21-C442 *	15/16"	(33.3)	1/8" - 5/8"	(3 - 16)	45.8	(20.8)
BCH32-C442 *	2"	(50.8)	1/8" - 5/8"	(3 - 16)	51.6	(23.4)
BCH64-C442 *	4"	(101.6)	1/8" - 5/8"	(3 - 16)	102.4	(46.6)



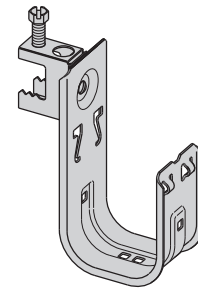
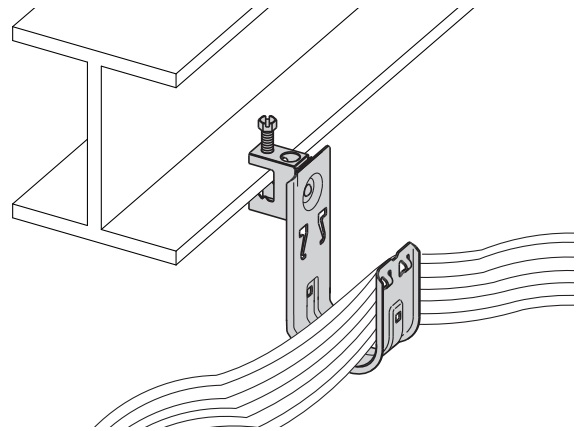
* For Xylan® coating, add "X" after cable hook part number. Ex: BCH32X-C442

Popular Bee List item



Cable To Beam Fasteners

- Qwik-Latch™ cable retainers included (not shown on drawings)
- Designed to accept cable ties
- Simply installed with a screwdriver
- Static Load Capacity: 30 Lbs. (13.6kg)

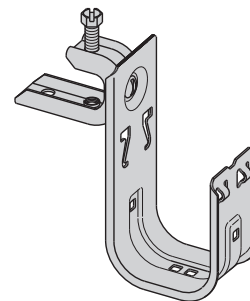
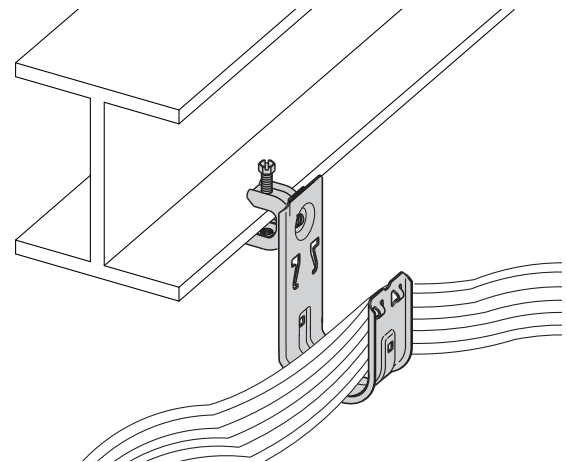


Part Number	Hook Size		Flange Thickness	Wt. Per 100	
	In.	(mm)		Lbs.	(kg)
BCH12-C1	3/4"	(19.0)	Thru 1/2" (13mm)	12.3	(5.6)
BCH21-C1 *	1 5/16"	(33.3)	Thru 1/2" (13mm)	20.7	(9.4)
BCH32-C1 *	2"	(50.8)	Thru 1/2" (13mm)	25.9	(11.7)
BCH64-C1 *	4"	(101.6)	Thru 1/2" (13mm)	61.3	(27.8)

* For Xylan® coating, add "X" after cable hook part number. Ex: BCH32X-C1

Cable To Beam Fasteners

- Qwik-Latch™ cable retainers included (not shown on drawings)
- Designed to accept cable ties
- Simply installed with a screwdriver
- Static Load Capacity: 30 Lbs. (13.6kg)

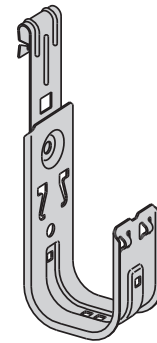
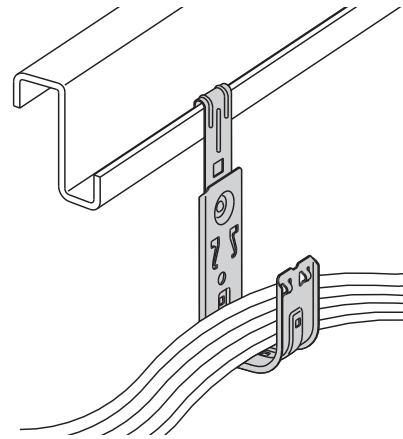


Part Number	Hook Size		Flange Thickness		Wt. Per 100	
	In.	(mm)	In.	(mm)	Lbs.	(kg)
BCH12-C442A	3/4"	(19.0)	1/8" - 5/8"	(3 - 16)	18.4	(8.3)
BCH21-C442A *	1 5/16"	(33.3)	1/8" - 5/8"	(3 - 16)	26.8	(12.1)
BCH32-C442A *	2"	(50.8)	1/8" - 5/8"	(3 - 16)	32.0	(14.5)
BCH64-C442A *	4"	(101.6)	1/8" - 5/8"	(3 - 16)	67.4	(30.6)

* For Xylan® coating, add "X" after cable hook part number. Ex: BCH32X-C442A

Cable To Flange Fasteners

- Supports cable from vertical flanges
- Qwik-Latch™ cable retainers included (not shown on drawings)
- Designed to accept cable ties
- Simply installed with a hammer
- Static Load Capacity: 30 Lbs. (13.6kg)

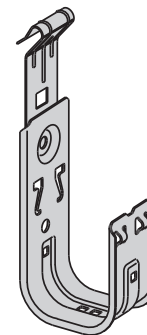
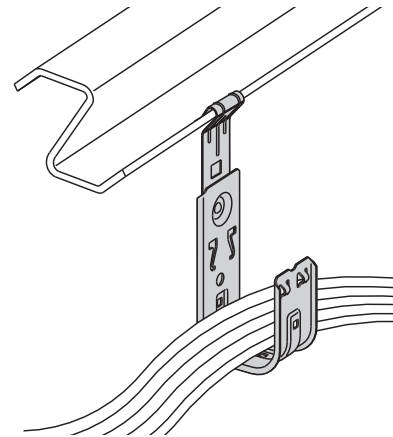


Part Number	Hook Size		Flange Thickness		Wt. Per 100	
	In.	(mm)	In.	(mm)	Lbs.	(kg)
BCH12-F3	3/4"	(19.0)	1/16" - 1/4"	(1.6 - 6.3)	13.0	(5.9)
BCH21-F3 *	15/16"	(33.3)	1/16" - 1/4"	(1.6 - 6.3)	21.0	(9.5)
BCH32-F3 *	2"	(50.8)	1/16" - 1/4"	(1.6 - 6.3)	26.0	(11.8)
BCH64-F3 *	4"	(101.6)	1/16" - 1/4"	(1.6 - 6.3)	62.4	(28.3)

* For Xylan® coating, add "X" after cable hook part number. Ex: BCH32X-F3

Cable To Flange Fasteners

- Supports cable from angled flanges
- Qwik-Latch™ cable retainers included (not shown on drawings)
- Designed to accept cable ties
- Simply installed with a hammer
- Static Load Capacity: 30 Lbs. (13.6kg)



Part Number	Hook Size		Flange Thickness		Wt. Per 100	
	In.	(mm)	In.	(mm)	Lbs.	(kg)
BCH12-F4	3/4"	(19.0)	1/16" - 1/4"	(1.6 - 6.3)	13.0	(5.9)
BCH21-F4 *	15/16"	(33.3)	1/16" - 1/4"	(1.6 - 6.3)	21.0	(9.5)
BCH32-F4 *	2"	(50.8)	1/16" - 1/4"	(1.6 - 6.3)	25.8	(11.7)
BCH64-F4 *	4"	(101.6)	1/16" - 1/4"	(1.6 - 6.3)	62.4	(28.3)

* For Xylan® coating, add "X" after cable hook part number. Ex: BCH32X-F4

Patent #5961081