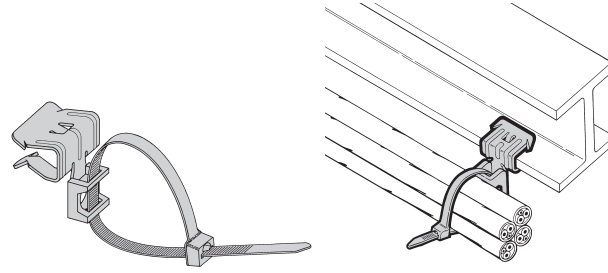
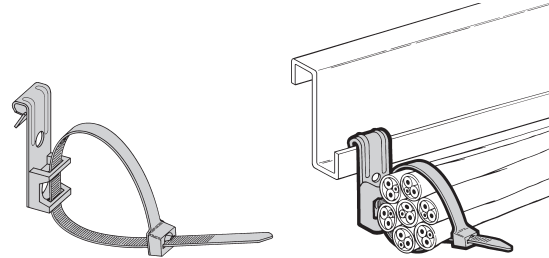


Cable Fasteners

- Supports cable ties up to $\frac{9}{32}$ " (7.1mm) wide from flanges $\frac{1}{16}$ " (1.6mm) to $\frac{3}{4}$ " (19.0mm)
- Designed for securing communications cables
- 8" (203mm) cable tie included
- Simply installed with a hammer
- Finish: Zinc Phosphate



BE-__-__-CT2

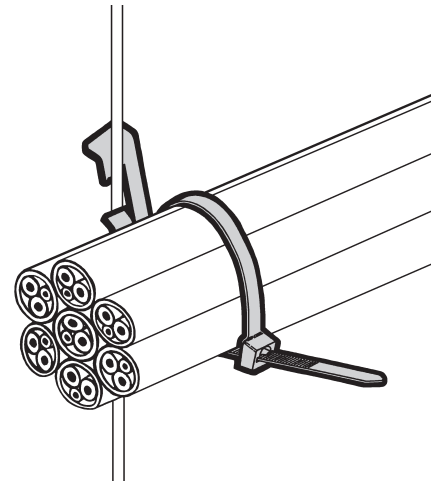
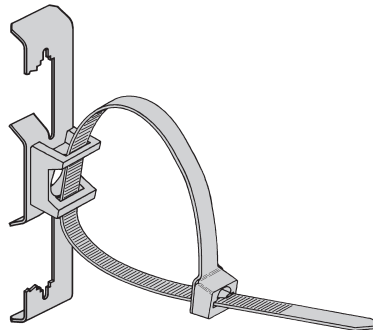


BF__-CT2

Part Number	Description		Wt. Per 100	
			Lbs.	(kg)
BE-2-4-CT2	$\frac{1}{8}$ " to $\frac{1}{4}$ "	(3.2 to 6.3)	4.4	(2.0)
BE-5-8-CT2	$\frac{5}{16}$ " to $\frac{1}{2}$ "	(7.9 to 12.7)	4.8	(2.2)
BE-9-12-CT2	$\frac{5}{16}$ " to $\frac{1}{2}$ "	(7.9 to 12.7)	5.4	(2.4)
BF1-CT2	$\frac{1}{16}$ " to $\frac{5}{32}$ "	(1.6 to 3.9)	3.6	(1.6)
BF2-CT2	$\frac{5}{32}$ " to $\frac{1}{4}$ "	(3.9 to 6.3)	3.6	(1.6)

Cable Fasteners

- Supports cable ties up to $\frac{9}{32}$ " (7.1mm) wide from drop wires
- Designed for securing communications cables
- 8" (203mm) cable tie included
- Finish: Zinc Phosphate



Part Number	Description	Wt. Per 100	
		Lbs.	(kg)
BW2-CT2	#12 Wire thru $\frac{1}{4}$ " Plain Rod"	3.9	(1.7)
BW6-CT2	$\frac{3}{8}$ " Plain or Threaded Rod"	4.5	(2.0)