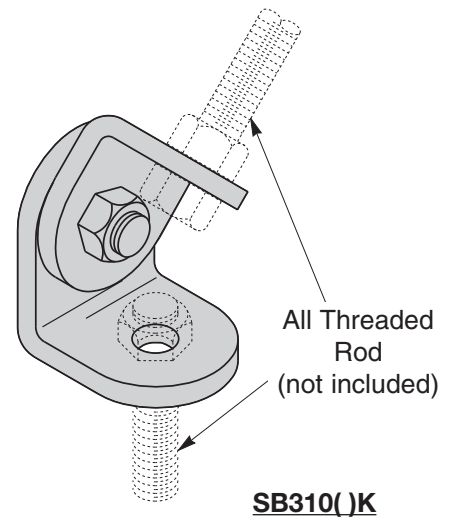
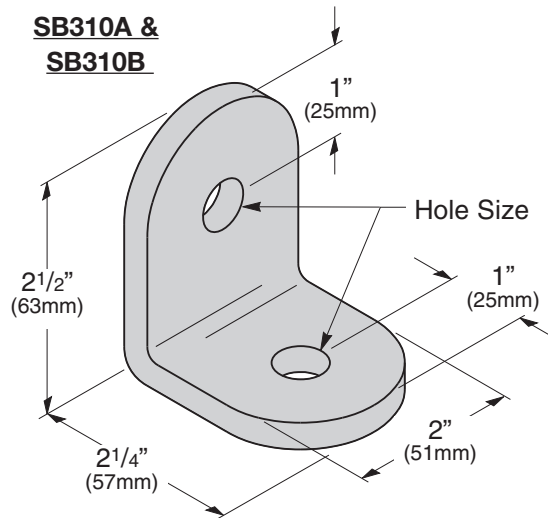


Angled Drop Rod Bracket

- Use to create bracing systems with the use of all threaded rod.
- Use kit to secure all threaded rod as a diagonal brace.
- SB310AK includes: (2) brackets and 1/2"-13 hardware.
- SB310BK includes: (2) brackets and 5/8"-11 hardware.
- Material: 1/4" (6mm) ASTM A907 structural steel
- Finish: Yellow Zinc (YZ)
(Other finishes are available upon request)



Part Number	Hole Size		ATR Size		Weight Each	
	in.	(mm)	in.	(mm)	Lbs.	(kg)
SB310A*	9/16"	(14)	1/2"	(13)	0.70	(0.32)
SB310B*	11/16"	(17)	5/8"	(16)	0.70	(0.32)
SB310AK	9/16"	(14)	1/2"	(13)	1.50	(0.68)
SB310BK	11/16"	(17)	5/8"	(16)	1.50	(0.68)

* Single bracket only.

 YZ is a popular Bee List item