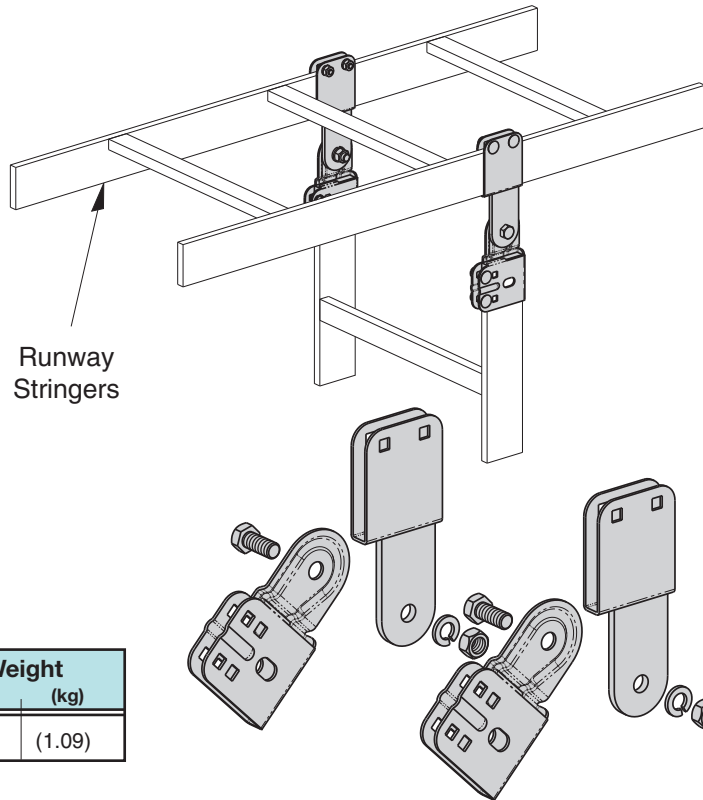


Adjustable Vertical Splice Kit

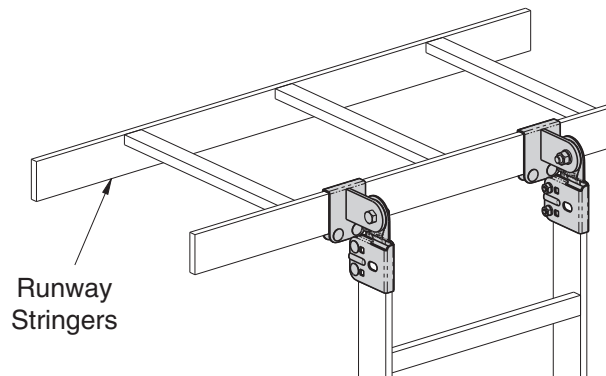
- Use to connect cable runway stringers in a vertical direction.
- Adjusts 180°.
- Includes: (2) splices and hardware.
- Material: ASTM A570 structural steel
- Finish___: Yellow Zinc (YZ) or Black Zinc (BZ)
- UL Classified - file number E60548



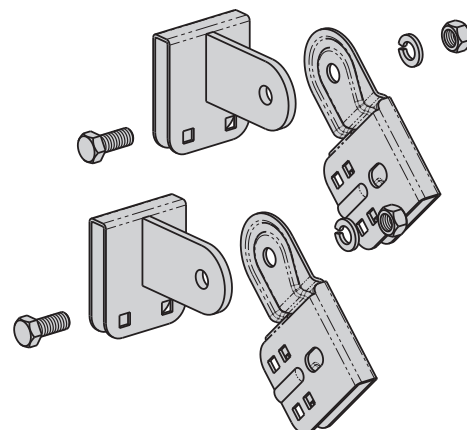
Part Number	Runway Height		Weight	
	In.	(mm)	Lbs.	(kg)
SB2111A	1 1/2"	(38)	2.40	(1.09)

Adjustable Junction Splice Kit

- Use to connect one cable runway to the side of another cable runway.
- Adjusts 270°.
- Includes: (2) splices and hardware.
- Material: ASTM A570 structural steel
- Finish___: Yellow Zinc (YZ) or Black Zinc (BZ)
- UL Classified - file number E60548



Part Number	Runway Height		Weight	
	In.	(mm)	Lbs.	(kg)
SB2111B	1 1/2"	(38)	2.40	(1.09)



 BZ & YZ are popular Bee List items