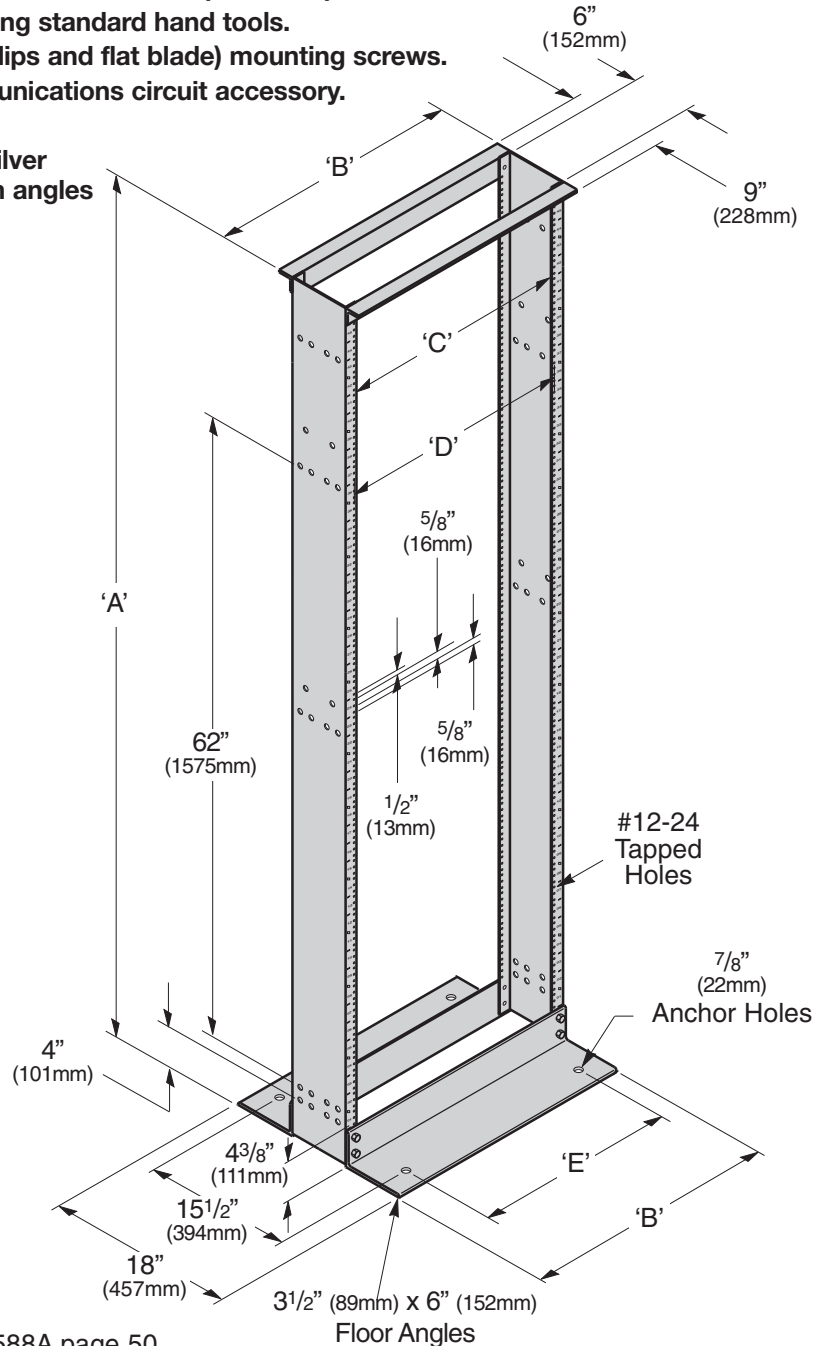


Two-Post Network Equipment Rack 6" Uprights, 19" & 23" Panel Mounting Customer Premise

- Double sided universal ($5/8"$ (16mm), $5/8"$ (16mm) , $1/2"$ (13mm)) mounting spacing.
- #12-24 panel mounting holes.
- Conformance to EIA-310-D.
- Load Rating: 1200 Lbs. (545kg) weight capacity when evenly distributed for the height of the rack.
- Twin $1\frac{1}{2}"$ (38mm) X $1\frac{1}{2}"$ (38mm) top angles for rigidity.
- Tapped assembly holes eliminate the need for nuts and simplifies assembly and squaring.
- Permanently stamped rack mount unit (RMU) markings included.
- Packaged unassembled in protective carton suitable for parcel shipment.
- Assembles in about ten (10) minutes using standard hand tools.
- Includes 30 dog point combo head (Phillips and flat blade) mounting screws.
- UL Listed (File No. E171936) as a communications circuit accessory.
- Material: 6061-T6 aluminum alloy
- Finish ___: Brushed (AL) uprights with Silver Powder Coated top & bottom angles
Telco Gray Powder Coat (TG) or Flat Black Powder Coat (FB)
Other finishes are available upon request




See SB588A page 50
for anchor kits

Continued on page 15.

Two-Post Network Equipment Rack 6" Uprights, 19" & 23" Panel Mounting Customer Premise

Universal Spacing

[5/8" (16mm), 5/8" (16mm), 1/2" (13mm)]

Part Number	Rack Width		Mounting Spaces	Shipping Weight	
	In.	(mm)		Lbs.	(kg)
 SB55608419U6__	19"	(482)	45	33	(14.9)
SB55608423U6__	23"	(584)	45	37	(16.8)

Finish __: Brushed (AL), Telco Gray Powder Coat (TG) or Flat Black Powder Coat (FB)

Dimensions				
	19" (482mm) Rack Width In.	Rack Width (mm)	23" (594mm) Rack Width In.	Rack Width (mm)
'A' Overall Height	84"	(2133)	84"	(2133)
'B' Overall Width	20 ⁵ / ₁₆ "	(516)	24 ⁵ / ₁₆ "	(617)
'C' Panel Mounting	18 ⁵ / ₁₆ "	(465)	22 ⁵ / ₁₆ "	(567)
'D' Usable Inside Width	17 ³ / ₄ "	(451)	21 ³ / ₄ "	(552)
'E' Base Anchor Spacing	16"	(406)	20"	(508)

Other heights available on request.



FB & AL are popular Bee List items