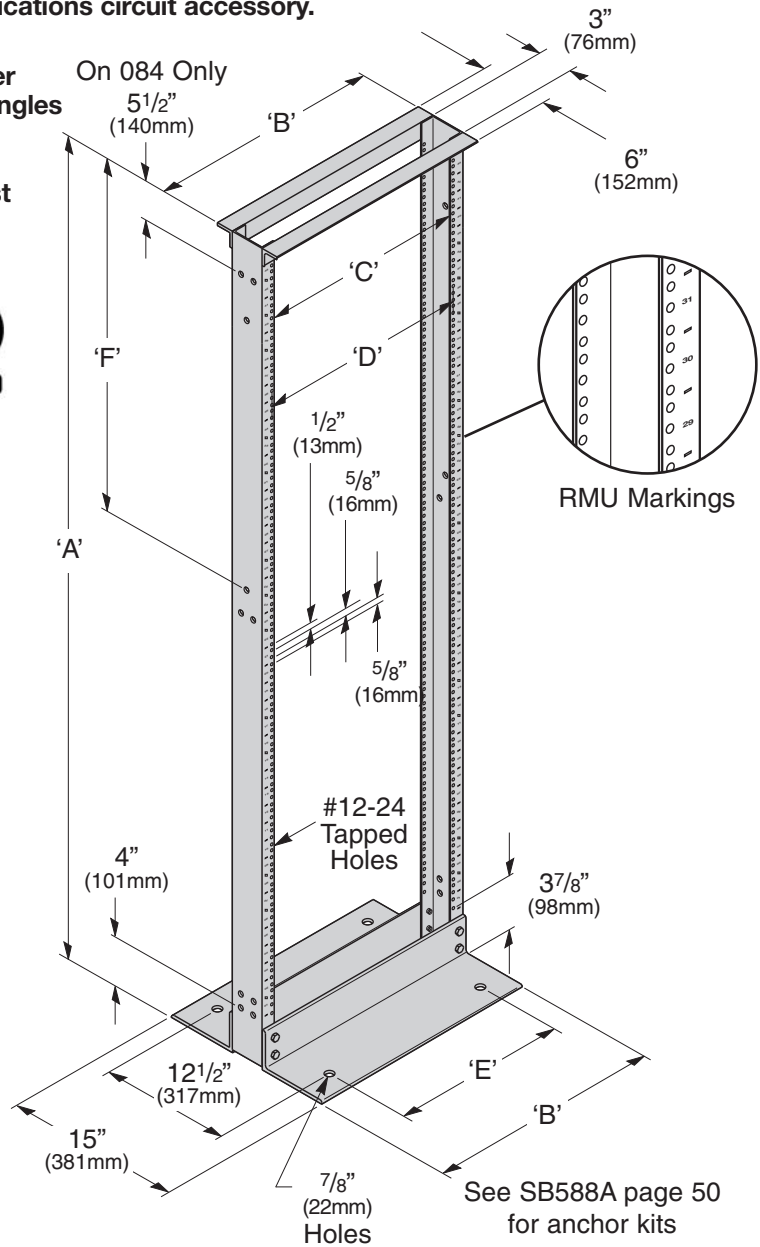
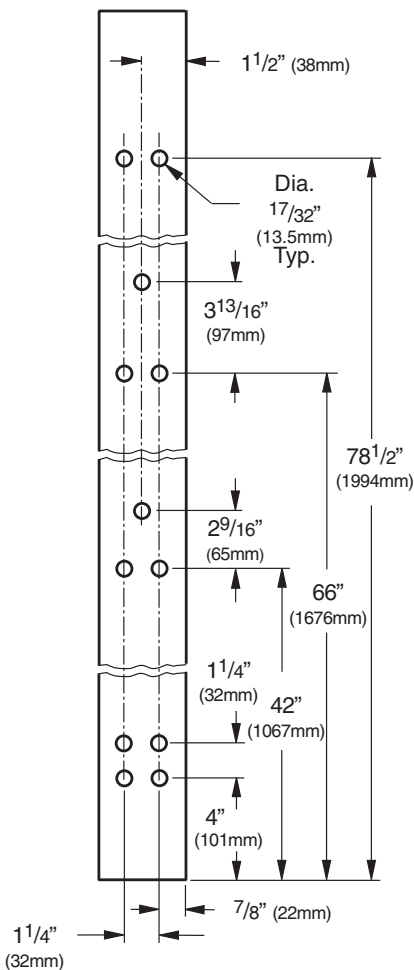


## Two-Post Network Equipment Rack 3" Uprights, 19" & 23" Panel Mounting, Customer Premise

- Universal junction hole pattern matches most manufacturers racks.
- #12-24 panel mounting holes.
- Conformance to EIA-310-D.
- Load Rating: 1200 Lbs. (544kg) weight capacity when evenly distributed for the height of the rack.
- Permanently stamped rack mount unit (RMU) markings included.
- Packaged unassembled in protective carton suitable for parcel shipment.
- Assembles in about ten (10) minutes using standard hand tools.
- Includes 30 dog point combo head (Phillips and flat blade) mounting screws.
- Double sided universal ( $5/8"$  (16mm),  $5/8"$  (16mm),  $1/2"$  (13mm)) mounting spacing.
- Twin  $1\frac{1}{2}"$  (38mm) X  $1\frac{1}{2}"$  (38mm) top angles for rigidity.
- Tapped assembly holes eliminate the need for nuts and simplifies assembly and squaring.
- UL Listed (File No. E171936) as a communications circuit accessory.
- Material: 6061-T6 aluminum alloy
- Finish \_\_\_: Brushed (AL) uprights with Silver Powder Coated top & bottom angles  
Telco Gray Powder Coat (TG) or Flat Black Powder Coat (FB)  
Other finishes are available upon request

### Junction Hole Pattern for 84" tall rails



See SB588A page 50  
for anchor kits

Continued on page 13.

## Two-Post Network Equipment Rack 3" Uprights, 19" & 23" Panel Mounting, Customer Premise

Dimensions					
		19" (482mm) Rack Width		23" (594mm) Rack Width	
		In.	(mm)	In.	(mm)
'A'	Overall Height	36" - 108"	(914 - 2743)	36" - 108"	(914 - 2743)
'B'	Overall Width	20 <sup>5</sup> / <sub>16</sub> "	(516)	24 <sup>5</sup> / <sub>16</sub> "	(617)
'C'	Panel Mounting	18 <sup>5</sup> / <sub>16</sub> "	(465)	22 <sup>5</sup> / <sub>16</sub> "	(567)
'D'	Usable Inside Width	17 <sup>3</sup> / <sub>4</sub> "	(451)	21 <sup>3</sup> / <sub>4</sub> "	(552)
'E'	Base Anchor Spacing	16"	(406)	20"	(508)

### Universal Spacing [<sup>5</sup>/<sub>8</sub>" (16mm), <sup>5</sup>/<sub>8</sub>" (16mm), <sup>1</sup>/<sub>2</sub>" (13mm)]

Part Number	'A' Height		'F' Spacing		Mounting Spaces	Shipping Weight	
	In.	(mm)	In.	(mm)		Lbs.	(kg)
<b>19" (482mm) Rack Width</b>							
SB556036XU__	36"	(914)	6"	(152)	17	22.0	(10.0)
SB556048XU__	48"	(1219)	3 <sup>7</sup> / <sub>16</sub> "	(87)	24	24.0	(10.9)
SB556072XU__	72"	(1829)	27 <sup>7</sup> / <sub>16</sub> "	(697)	38	27.5	(12.5)
SB556084XU__	84"	(2133)	39 <sup>7</sup> / <sub>16</sub> "	(1001)	45	30.0	(13.6)
SB556096XU__	96"	(2438)	51 <sup>7</sup> / <sub>16</sub> "	(1306)	51	31.5	(14.3)
SB556108XU__	108"	(2743)	54 <sup>3</sup> / <sub>16</sub> "	(1376)	58	33.5	(15.2)
<b>23" (584mm) Rack Width</b>							
SB558036XU__	36"	(914)	6"	(152)	17	24.5	(11.1)
SB558048XU__	48"	(1219)	3 <sup>7</sup> / <sub>16</sub> "	(87)	24	26.5	(12.0)
SB558072XU__	72"	(1829)	27 <sup>7</sup> / <sub>16</sub> "	(697)	38	30.0	(13.6)
SB558084XU__	84"	(2133)	39 <sup>7</sup> / <sub>16</sub> "	(1001)	45	32.0	(14.5)
SB558096XU__	96"	(2438)	51 <sup>7</sup> / <sub>16</sub> "	(1306)	51	34.0	(15.4)
SB558108XU__	108"	(2743)	54 <sup>3</sup> / <sub>16</sub> "	(1376)	58	36.0	(16.8)

Finish \_\_ : Brushed (AL), Telco Gray Powder Coat (TG) or Flat Black Powder Coat (FB)



FB & AL are popular Bee List items