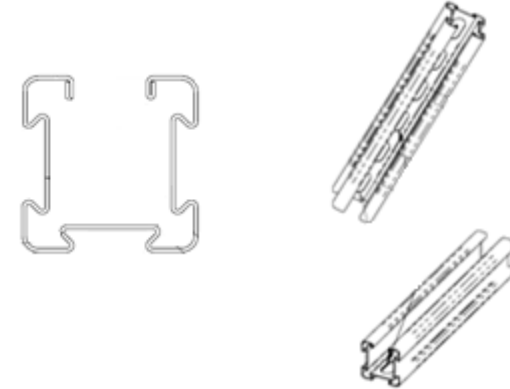
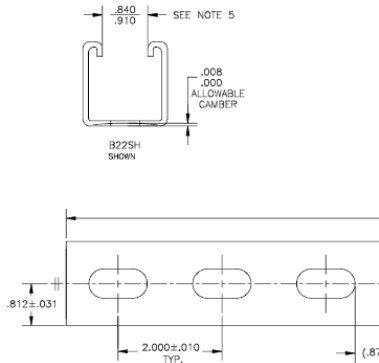




4Dimension™ Strut (Bolted Framing)

September 2014

Current Strut (B22) vs. 4Dimension™ Strut (4D22)



Current B22 design

- High volume – thickness is 12ga. (thinner gauges avail.)
- Dimensions – 1 5/8” x 1 5/8”
- 1 – 2 side functionality
- Multiple hole pattern options
- Multiple material & finish options
- See SS-13 catalog for more detail & fittings

New 4D22 design

- Thickness is 18ga
- Dimensions ~ 2” x 2” (53.5mm x 53.5mm)
- 4 side functionality
- 3 hole options – solid, SH, S
- All materials & finishes except AL & fiberglass
- Compatible with 90% of current fittings & accessories

4Dimension™ Strut meets or exceeds MFMA standards

Product Overview

Product Features & Benefits

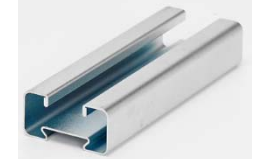
- Channel is 10% lighter, 10% higher beam loads, less deflection
- Compatible with 90%+ of current fittings & accessories
- 3 ways to make “back-to-back”
- 13 unique fittings, including universal pipe clamp
- Up to 50% installation time savings with innovative trapeze solutions
- Modular design & flexibility delivers up to 50% material & time savings
- 12 patents pending



2" x 2" NGS



Trapeze Hangers



2" x 1" NGS



Universal Pipe Clamps



Dovetail Bars



Dovetail channel nut / assembly



Dual-Dovetail nut assembly



Two-piece strengthening clamp



Spring steel Snap-on clamp



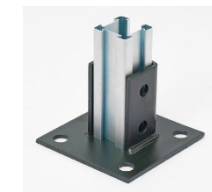
Dovetail combo nuts



Wire nut & Slide-in nut



New Beam clamp



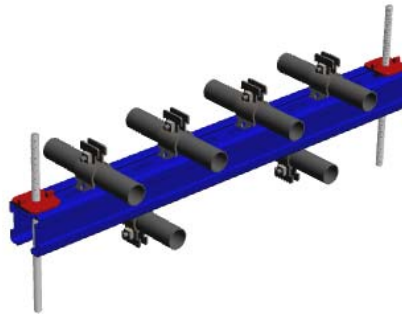
New Post base

Flexible Design that Delivers Labor & Material Savings in most Applications

Trapeze Application Comparisons

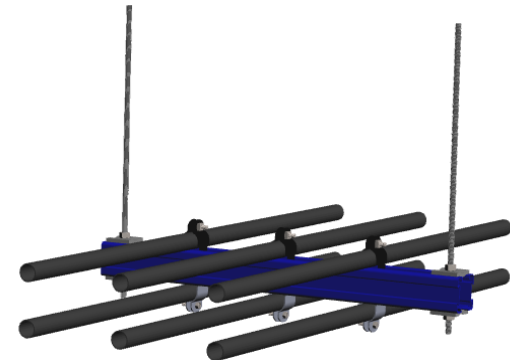


Current



4D22 Using 2-Piece "twist lock"

20%+ Material Savings;
50%+ Labor Savings

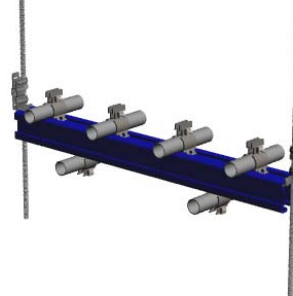


4D22 Using Traditional Hardware

20%+ Material Savings

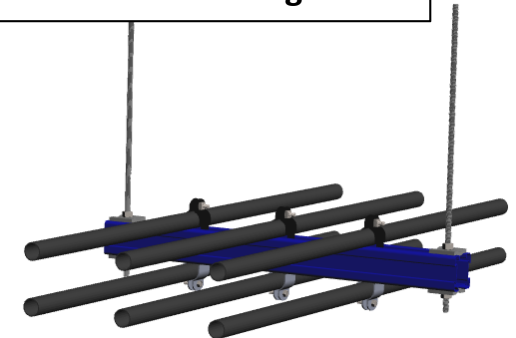


Current



4D22 Using – "Flip clip" L-bracket

30%+ Material Savings;
30%+ Labor Savings

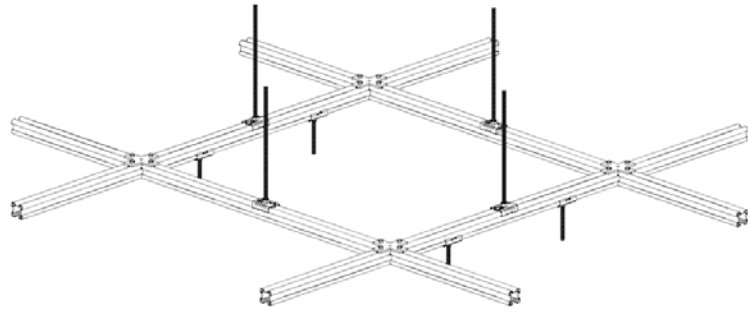


4D22 Using Traditional Hardware

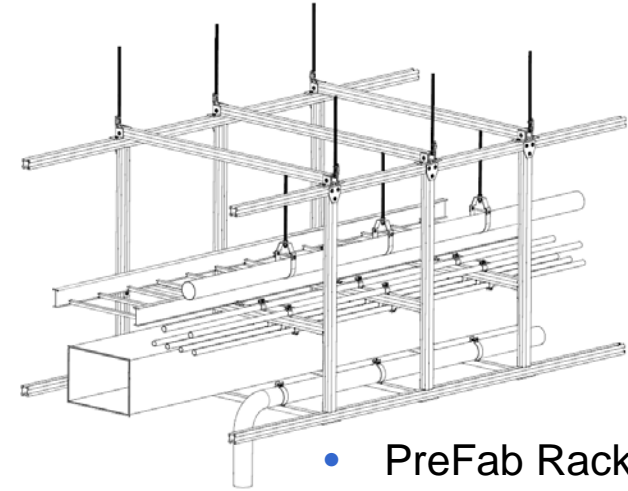
30%+ Material Savings

Material & Labor Savings While Achieving ~10% Higher Load Rating

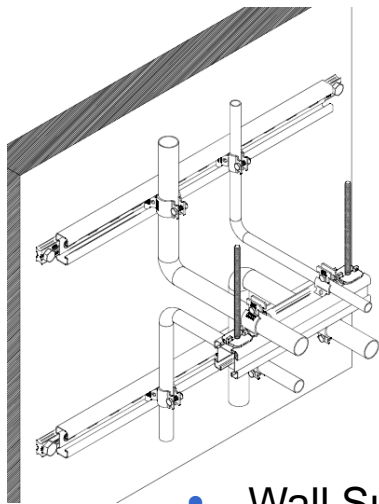
Additional Applications



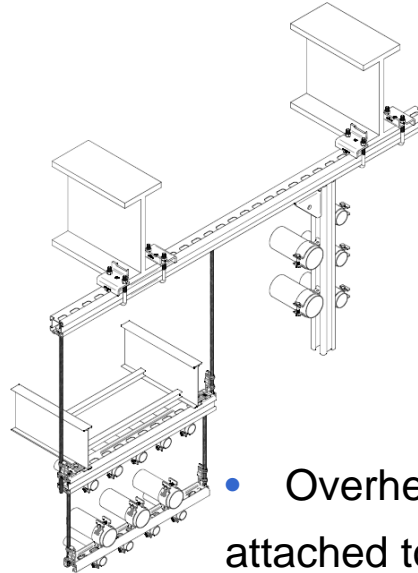
- Ceiling Grid



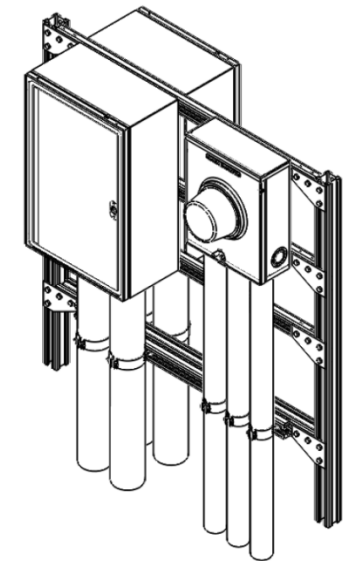
- PreFab Racking



- Wall Support



- Overhead support attached to I-Beam



- Panel Stand

Summary / Highlights

- Up to 50% reduction in installation time for trapeze applications
- Up to 55% reduction in material cost in common applications
- Dovetail feature provides multisided flexibility
- Functional replacement for “back to back” strut systems
- Compatible with most traditional fittings and accessories
- Superior strength and lighter weight
- Modular design provides design and build versatility
- SH hole accepts 5/8” hardware
- Innovative fitting solutions to create virtually hundreds of strut configurations and applications
- 12 Patents pending for the innovative 4D strut system
- **Available October 2014**

Launching October 2014

EATON

Powering Business Worldwide