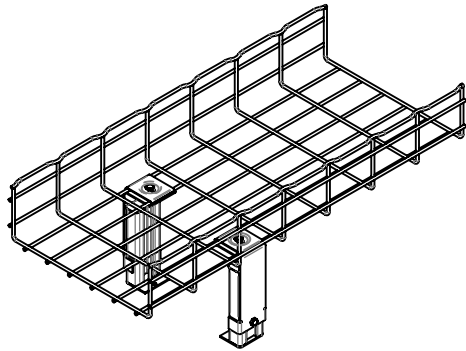
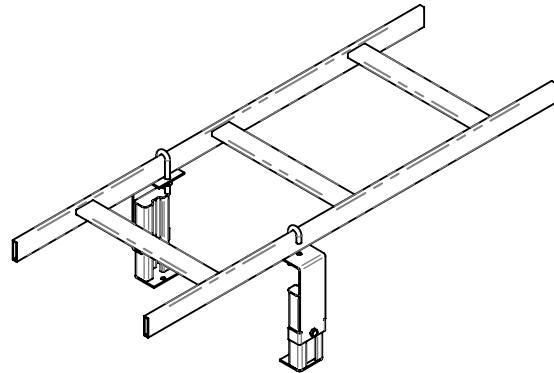


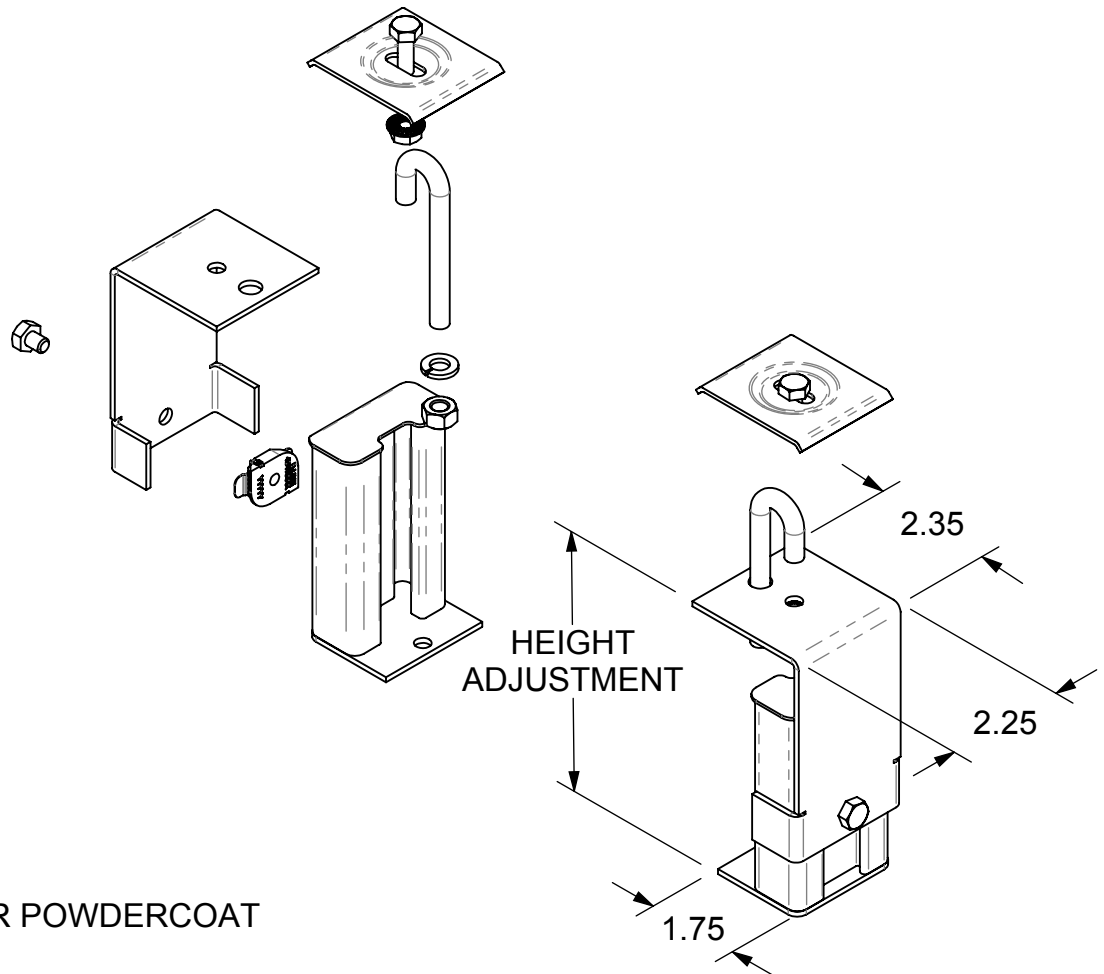
CATALOG NUMBER	DESCRIPTION	HEIGHT ADJUSTMENT	WEIGHT (lbs)
HDRSK4	4" RUNWAY SUPPORT KIT	4" to 6.75"	2.256
HDRSK6	6" RUNWAY SUPPORT KIT	6" to 10.75"	*2.851
HDRSK8	8" RUNWAY SUPPORT KIT	8" to 14.75"	*3.445



FLEXPTRAY SUPPORT




RUNWAY SUPPORT



MATERIAL: STEEL
FINISH: POLYESTER POWDERCOAT

THIS DRAWING AND/OR THE TECHNICAL INFORMATION CONTAINED HEREON IS THE PROPERTY OF COOPER B-LINE, INC. ("B-LINE"), AND IS ISSUED IN CONFIDENCE FOR B-LINE ENGINEERING PURPOSES ONLY AND MAY NOT BE REPRODUCED OR USED FOR ANY PURPOSE WHATSOEVER WITHOUT THE EXPRESS WRITTEN PERMISSION OF B-LINE TO THE USER. THIS DRAWING AND/OR TECHNICAL INFORMATION IS THE PROPERTY OF B-LINE AND IS LOANED FOR MUTUAL ASSISTANCE. TO BE RETURNED WHEN ITS INTENDED PURPOSE HAS BEEN SERVED.

 509 West Monroe St. Highland, IL 62249 Phone (800) 851-7415 FAX (800) 356-1438 www.cooperbline.com	SUBMITTAL DRAWING		REFERENCE DWG(S):	SUBMITTAL NO: S00027652
	TITLE: HD RUNWAY SUPPORT KIT			DRAWN BY: JJH REV: A
				DATE: 5/21/15
	<small>EQUIPMENT FURNISHED HAS BEEN FABRICATED IN ACCORDANCE WITH THIS DRAWING.</small>		MODEL SOURCE FILE: S00027652 REV: 01	SHEET: 1 OF 1