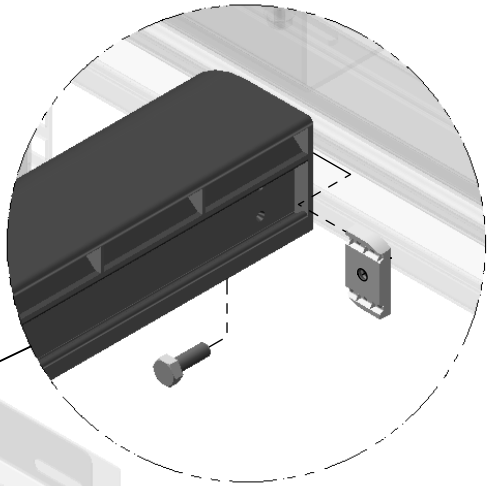
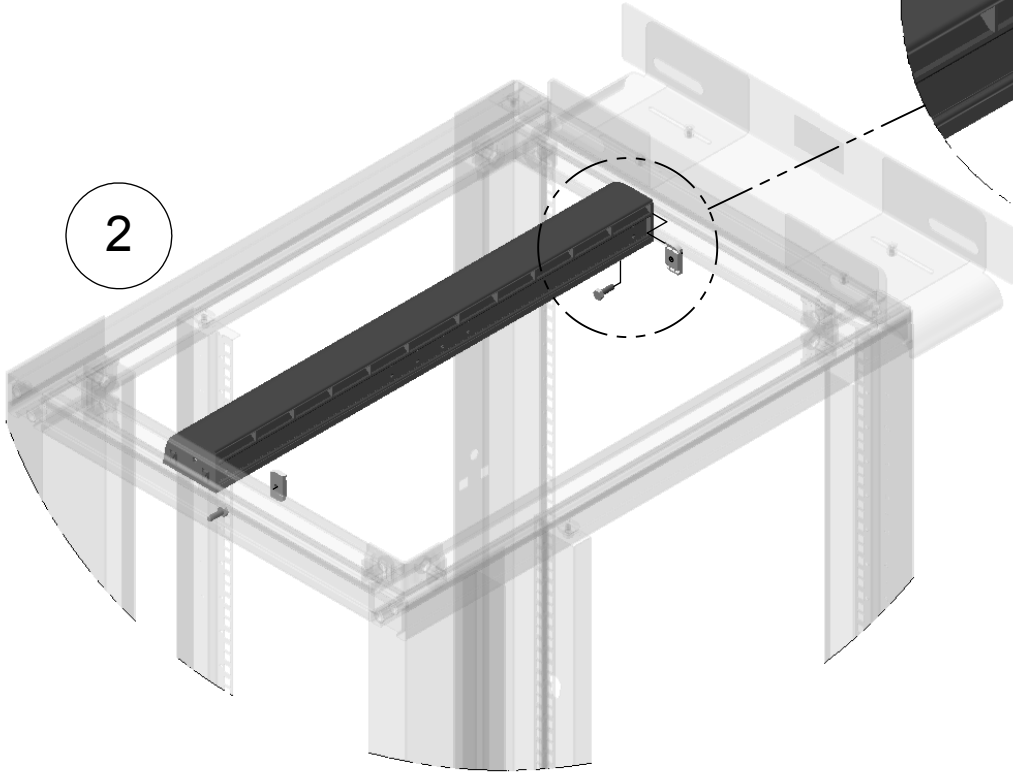


1



2



TOOLS REQUIRED:
1 - 7/16" WRENCH

THIS DRAWING AND/OR THE TECHNICAL INFORMATION CONTAINED HEREON IS THE PROPERTY OF COOPER B-LINE, INC. ("B-LINE"), AND IS ISSUED IN CONFIDENCE FOR B-LINE ENGINEERING PURPOSES ONLY AND MAY NOT BE REPRODUCED OR USED FOR ANY PURPOSE WHATSOEVER WITHOUT THE EXPRESS WRITTEN PERMISSION OF B-LINE TO THE USER. THIS DRAWING AND/OR TECHNICAL INFORMATION IS THE PROPERTY OF B-LINE AND IS LOANED FOR MUTUAL ASSISTANCE. TO BE RETURNED WHEN ITS INTENDED PURPOSE HAS BEEN SERVED.



509 West Monroe St.
Highland, IL 62249
Phone (800) 851-7415
FAX (800) 356-1438
www.cooperbline.com

INSTRUCTION SHEET

TITLE:
**HDD0x
CABLE DROP-OUT
HIGH DENSITY RACKS**

REFERENCE DWG(S):

MODEL SOURCE FILE: S00028128
REV: 00

INSTRUCTION SHEET NO:
IS00028128
DRAWN BY: JJH
REV: B
DATE: 3/8/16
SHEET: 1 OF 1

EQUIPMENT FURNISHED HAS BEEN FABRICATED IN ACCORDANCE WITH THIS DRAWING.