

THIS DRAWING AND/OR THE TECHNICAL INFORMATION CONTAINED HEREON IS THE PROPERTY OF COOPER B-LINE, INC. ("B-LINE"), AND IS ISSUED IN CONFIDENCE FOR B-LINE ENGINEERING PURPOSES ONLY AND MAY NOT BE REPRODUCED OR USED FOR ANY PURPOSE WHATSOEVER WITHOUT THE EXPRESS WRITTEN PERMISSION OF B-LINE TO THE USER. THIS DRAWING AND/OR TECHNICAL INFORMATION IS THE PROPERTY OF B-LINE AND IS LOANED FOR MUTUAL ASSISTANCE. TO BE RETURNED WHEN ITS INTENDED PURPOSE HAS BEEN SERVED.



509 West Monroe St.
 Highland, IL 62249
 Phone (800) 851-7415
 FAX (800) 356-1438

www.cooperbline.com

INSTRUCTION SHEET

TITLE:

**HDCMB
 RCM+ MOUNTING BRACKET KIT**

REFERENCE DWG(S):

INSTRUCTION SHEET NO:

IS00028124

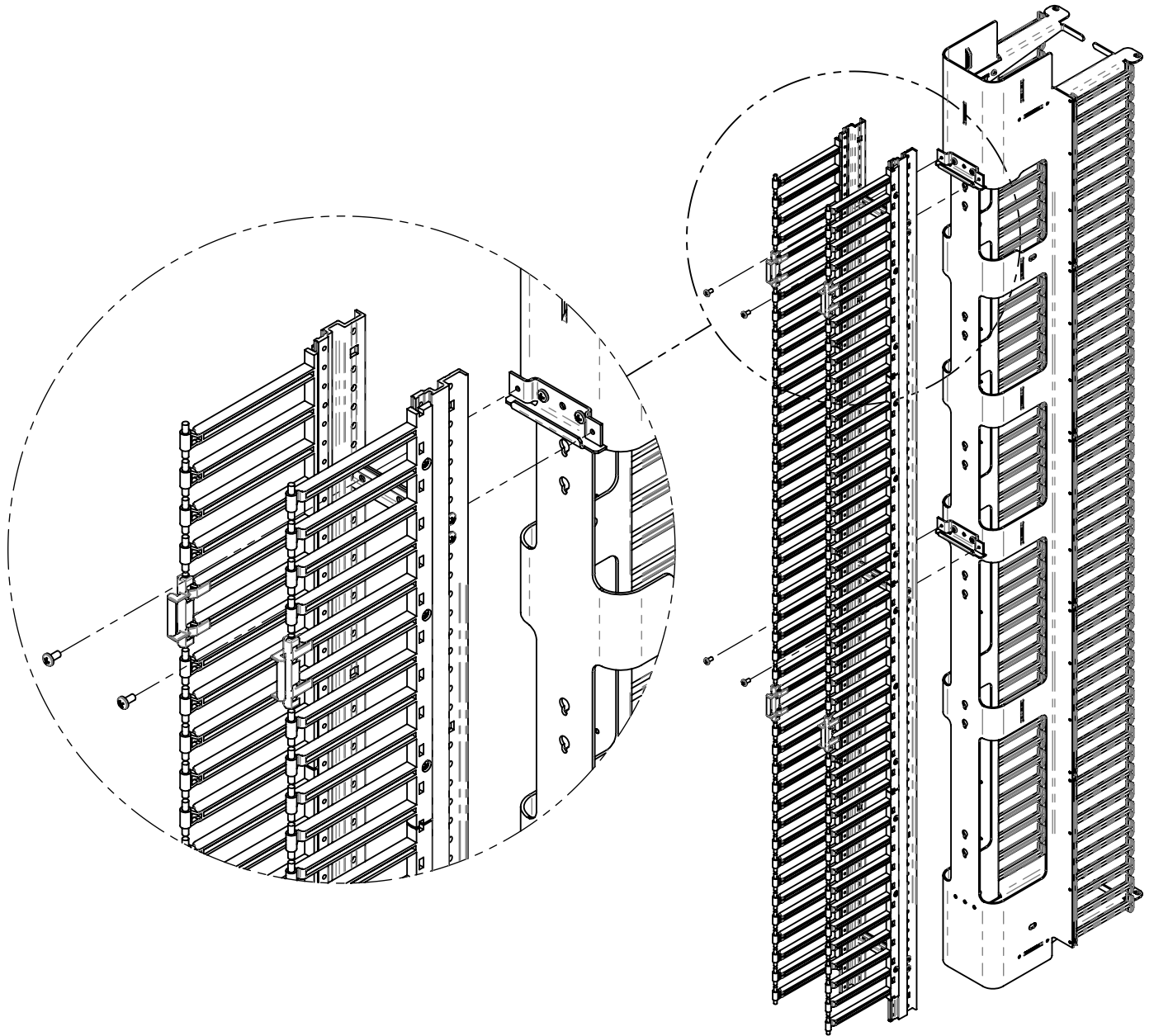
DRAWN BY: JJH	REV. A
-------------------------	------------------

DATE:
8-19-15

MODEL SOURCE FILE: S00028124	REV.: 00
--	--------------------

SHEET: 1 OF 3

EQUIPMENT FURNISHED HAS BEEN FABRICATED IN ACCORDANCE WITH THIS DRAWING.



THIS DRAWING AND/OR THE TECHNICAL INFORMATION CONTAINED HEREON IS THE PROPERTY OF COOPER B-LINE, INC. ("B-LINE"), AND IS ISSUED IN CONFIDENCE FOR B-LINE ENGINEERING PURPOSES ONLY AND MAY NOT BE REPRODUCED OR USED FOR ANY PURPOSE WHATSOEVER WITHOUT THE EXPRESS WRITTEN PERMISSION OF B-LINE TO THE USER. THIS DRAWING AND/OR TECHNICAL INFORMATION IS THE PROPERTY OF B-LINE AND IS LOANED FOR MUTUAL ASSISTANCE. TO BE RETURNED WHEN ITS INTENDED PURPOSE HAS BEEN SERVED.



509 West Monroe St.
 Highland, IL 62249
 Phone (800) 851-7415
 FAX (800) 356-1438

www.cooperbline.com

INSTRUCTION SHEET

TITLE:

**HDCMB
 RCM+ MOUNTING BRACKET KIT**

REFERENCE DWG(S):

SUBMITTAL NO.:

IS00028124

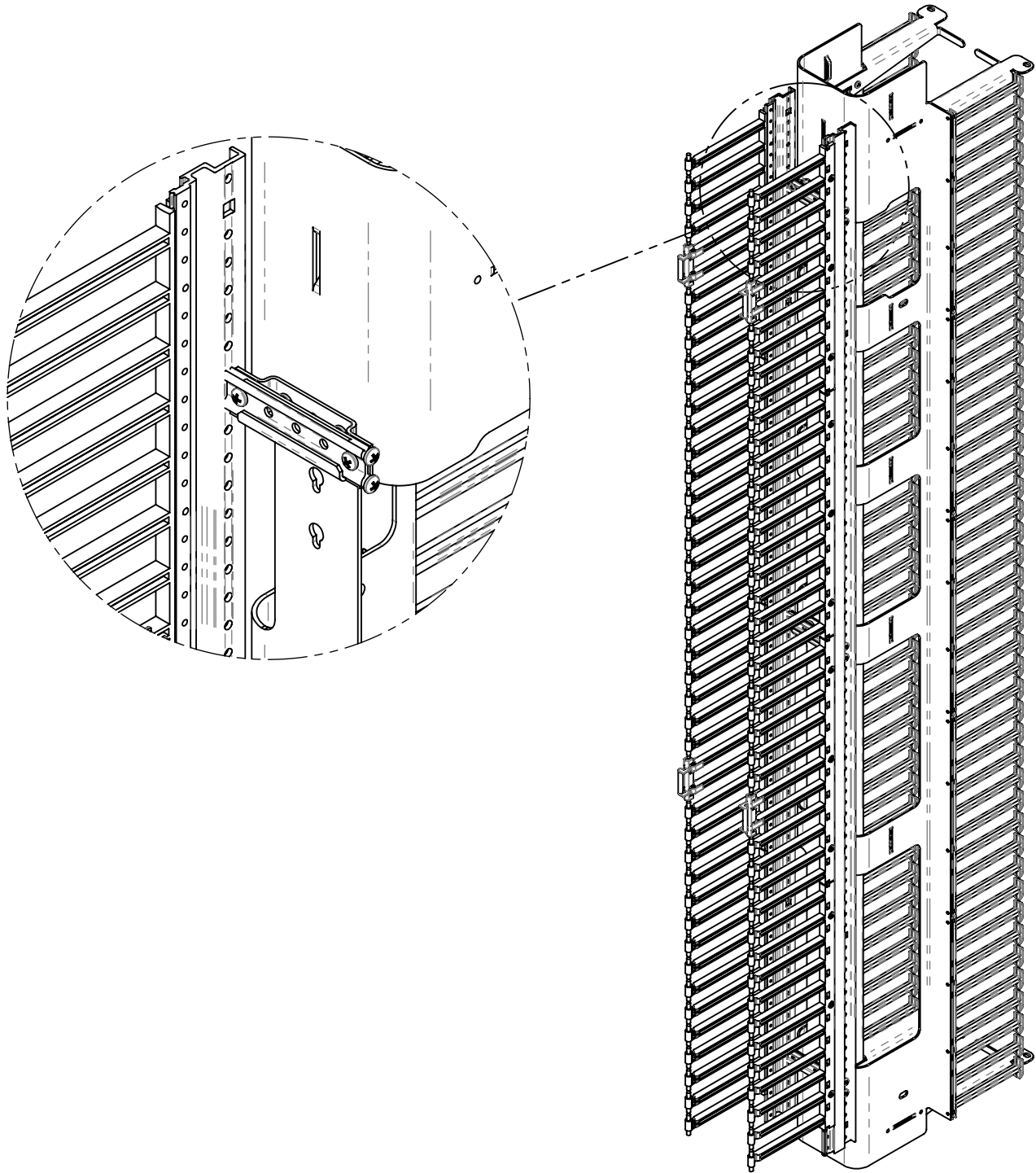
DRAWN BY:	REV.
JJH	A

DATE:
8-19-15

MODEL SOURCE FILE:	REV:
S00028124	00

SHEET:
2 OF 3

EQUIPMENT FURNISHED HAS BEEN FABRICATED IN ACCORDANCE WITH THIS DRAWING.



THIS DRAWING AND/OR THE TECHNICAL INFORMATION CONTAINED HEREON IS THE PROPERTY OF COOPER B-LINE, INC. ("B-LINE"), AND IS ISSUED IN CONFIDENCE FOR B-LINE ENGINEERING PURPOSES ONLY AND MAY NOT BE REPRODUCED OR USED FOR ANY PURPOSE WHATSOEVER WITHOUT THE EXPRESS WRITTEN PERMISSION OF B-LINE TO THE USER. THIS DRAWING AND/OR TECHNICAL INFORMATION IS THE PROPERTY OF B-LINE AND IS LOANED FOR MUTUAL ASSISTANCE. TO BE RETURNED WHEN ITS INTENDED PURPOSE HAS BEEN SERVED.



509 West Monroe St.
 Highland, IL 62249
 Phone (800) 851-7415
 FAX (800) 356-1438

www.cooperbline.com

INSTRUCTION SHEET

TITLE:

**HDCMB
 RCM+ MOUNTING BRACKET KIT**

REFERENCE DWG(S):

SUBMITTAL NO:

IS00028124

DRAWN BY:	REV.
JJH	A

DATE: **8-19-15**

MODEL SOURCE FILE:	REV:
S00028124	00

SHEET: **3 OF 3**

EQUIPMENT FURNISHED HAS BEEN FABRICATED IN ACCORDANCE WITH THIS DRAWING.