

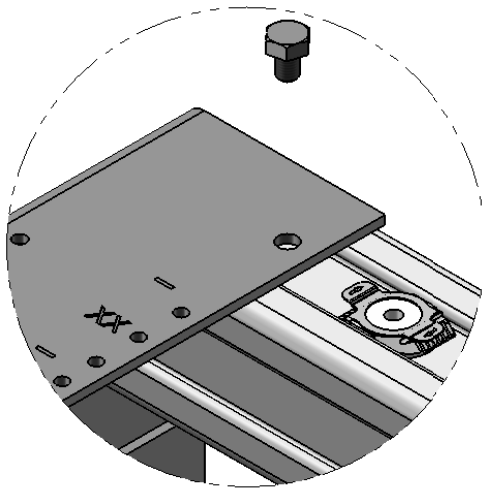
8	4DTN22X DOVE TAIL TWIRL NUT ASSY	6
7	MS BOLT HEX HEAD 1/4-20 x 3/8	6
6	MS Bolt Hex Head 3/8-16 x 1/2	8
5	TOP WATER FALL ASSEMBLY	1
4	CMR Bolt Plate	4
3	TOP WELDMENT	1
2	CMR Base Angle	2
1	CABLE MANAGER SIDE ASSEMBLY	2
ITEM	DESCRIPTION	QTY

BILL OF MATERIAL

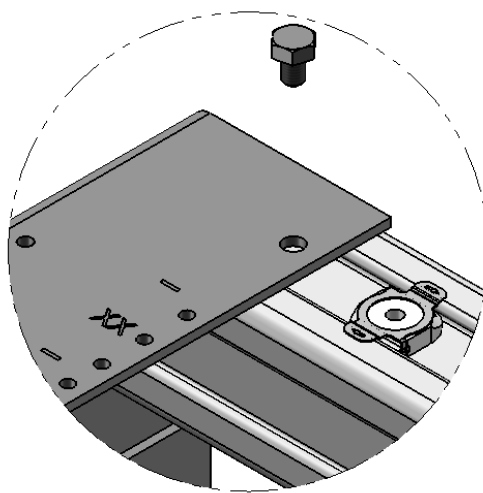
TOOLS REQUIRED:
 1 - 7/16" WRENCH
 1 - 9/16" WRENCH

THIS DRAWING AND/OR THE TECHNICAL INFORMATION CONTAINED HEREON IS THE PROPERTY OF COOPER B-LINE, INC. ("B-LINE"), AND IS ISSUED IN CONFIDENCE FOR B-LINE ENGINEERING PURPOSES ONLY AND MAY NOT BE REPRODUCED OR USED FOR ANY PURPOSE WHATSOEVER WITHOUT THE EXPRESS WRITTEN PERMISSION OF B-LINE TO THE USER. THIS DRAWING AND/OR TECHNICAL INFORMATION IS THE PROPERTY OF B-LINE AND IS LOANED FOR MUTUAL ASSISTANCE. TO BE RETURNED WHEN ITS INTENDED PURPOSE HAS BEEN SERVED.

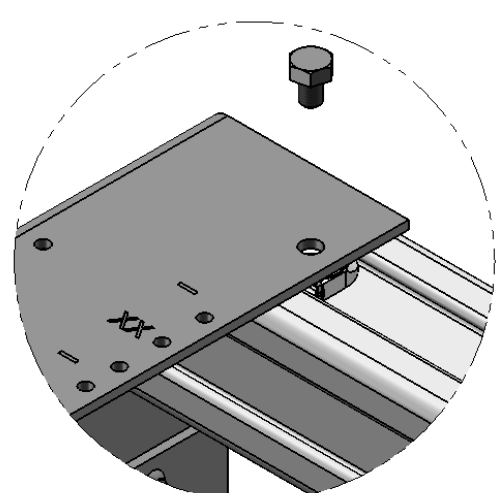
COOPER B-Line		INSTRUCTION SHEET		REFERENCE DWG(S):	INSTRUCTION SHEET NO:
509 West Monroe St. Highland, IL 62249 Phone (800) 851-7415 FAX (800) 356-1438 www.cooperbline.com		TITLE: 2-POST HIGH DENSITY CABLE MANAGEMENT RACK			IS00027623
					DRAWN BY: JJH
					DATE: 3/1/16
				MODEL SOURCE FILE: S00027623	REV: 00
					SHEET: 1 OF 4
<small>EQUIPMENT FURNISHED HAS BEEN FABRICATED IN ACCORDANCE WITH THIS DRAWING.</small>					



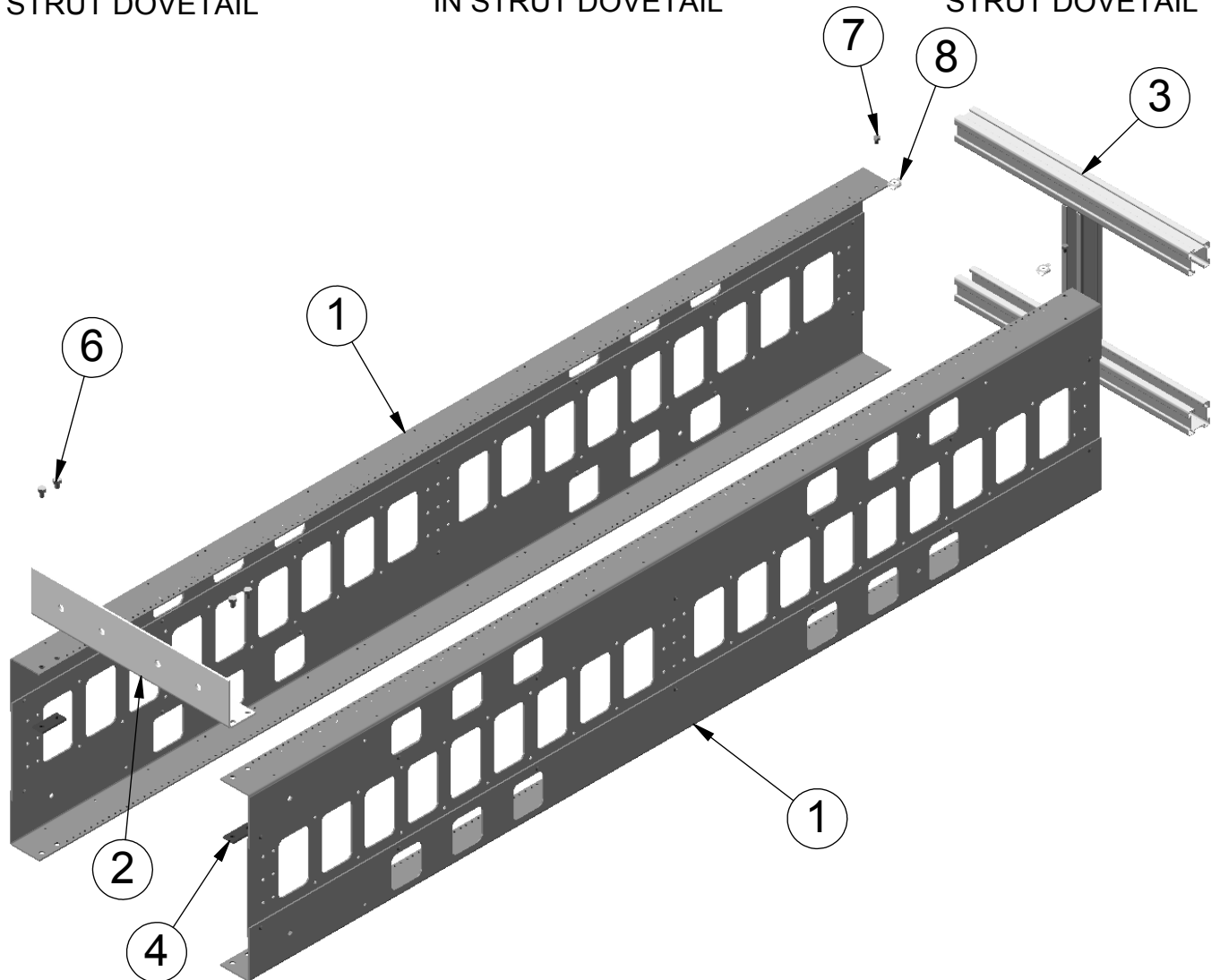
DROP TWIRL NUT INTO STRUT DOVETAIL



ROTATE DROP TWIRL NUT IN STRUT DOVETAIL



SLIDE TWIRL NUT IN STRUT DOVETAIL



THIS DRAWING AND/OR THE TECHNICAL INFORMATION CONTAINED HEREON IS THE PROPERTY OF COOPER B-LINE, INC. ("B-LINE"), AND IS ISSUED IN CONFIDENCE FOR B-LINE ENGINEERING PURPOSES ONLY AND MAY NOT BE REPRODUCED OR USED FOR ANY PURPOSE WHATSOEVER WITHOUT THE EXPRESS WRITTEN PERMISSION OF B-LINE TO THE USER. THIS DRAWING AND/OR TECHNICAL INFORMATION IS THE PROPERTY OF B-LINE AND IS LOANED FOR MUTUAL ASSISTANCE. TO BE RETURNED WHEN ITS INTENDED PURPOSE HAS BEEN SERVED.

COOPER B-Line

509 West Monroe St.
Highland, IL 62249
Phone (800) 851-7415
FAX (800) 356-1438

www.cooperbline.com

INSTRUCTION SHEET

TITLE:

2-POST HIGH DENSITY
CABLE MANAGEMENT RACK

REFERENCE DWG(S):

INSTRUCTION SHEET NO:

IS00027623

DRAWN BY:

JJH

REV:

B

DATE:

3/1/16

MODEL SOURCE FILE:

S00027623

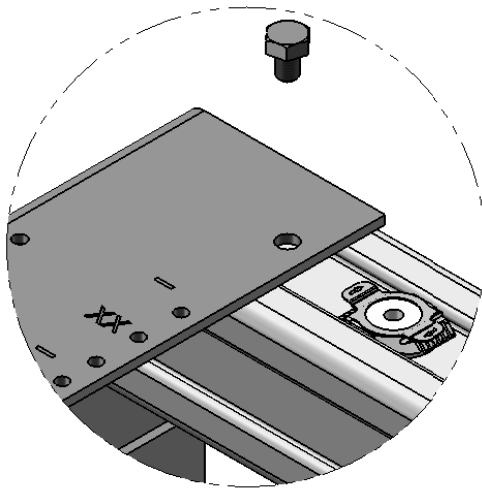
REV:

00

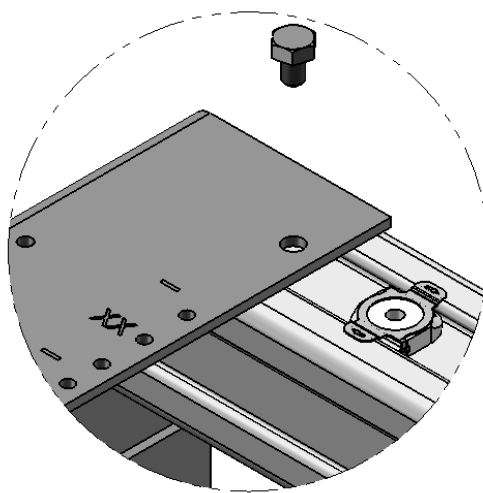
SHEET:

2 OF 4

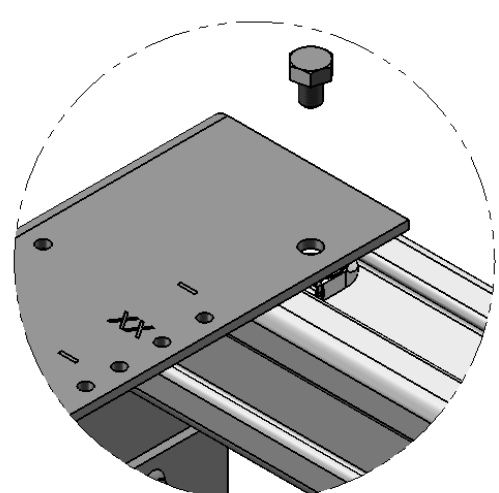
EQUIPMENT FURNISHED HAS BEEN FABRICATED IN ACCORDANCE WITH THIS DRAWING.



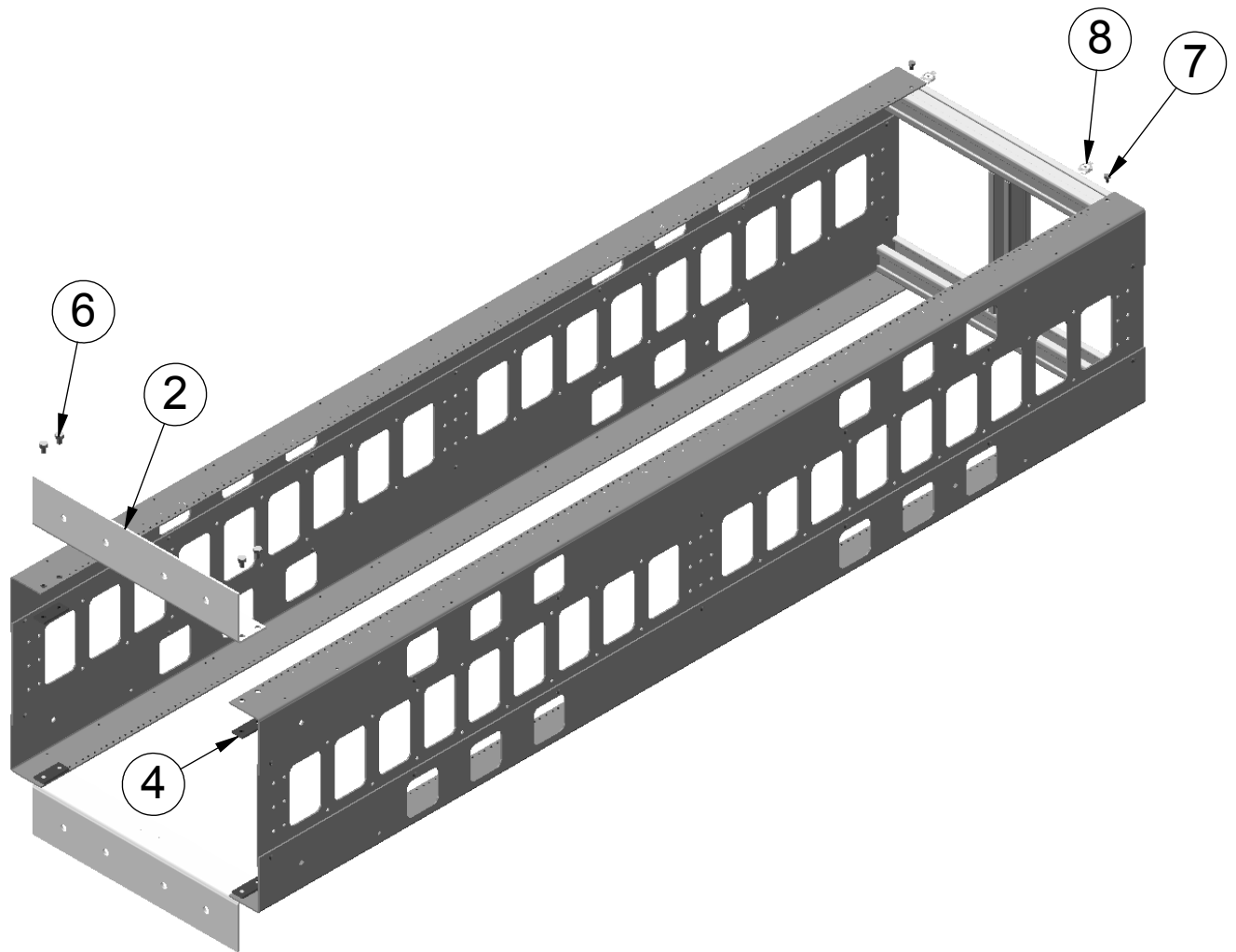
DROP TWIRL NUT INTO STRUT DOVETAIL



ROTATE DROP TWIRL NUT IN STRUT DOVETAIL



SLIDE TWIRL NUT IN STRUT DOVETAIL



THIS DRAWING AND/OR THE TECHNICAL INFORMATION CONTAINED HEREON IS THE PROPERTY OF COOPER B-LINE, INC. ("B-LINE"), AND IS ISSUED IN CONFIDENCE FOR B-LINE ENGINEERING PURPOSES ONLY AND MAY NOT BE REPRODUCED OR USED FOR ANY PURPOSE WHATSOEVER WITHOUT THE EXPRESS WRITTEN PERMISSION OF B-LINE TO THE USER. THIS DRAWING AND/OR TECHNICAL INFORMATION IS THE PROPERTY OF B-LINE AND IS LOANED FOR MUTUAL ASSISTANCE. TO BE RETURNED WHEN ITS INTENDED PURPOSE HAS BEEN SERVED.

COOPER B-Line

509 West Monroe St.
Highland, IL 62249
Phone (800) 851-7415
FAX (800) 356-1438

www.cooperbline.com

INSTRUCTION SHEET

TITLE:

2-POST HIGH DENSITY
CABLE MANAGEMENT RACK

REFERENCE DWG(S):

INSTRUCTION SHEET NO:

IS00027623

DRAWN BY:

JJH

REV:

B

DATE:

3/1/16

MODEL SOURCE FILE:

S00027623

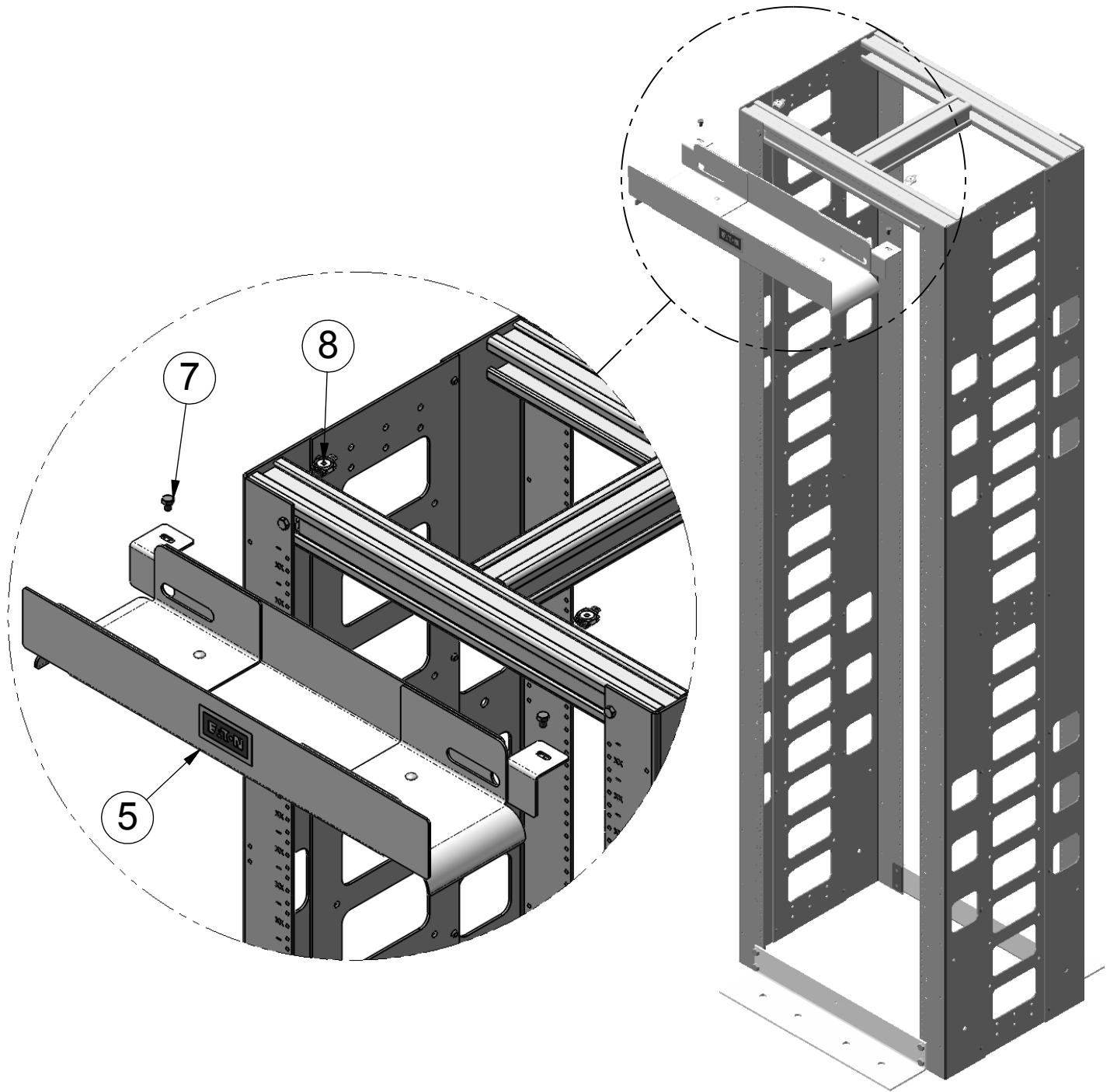
REV:

00

SHEET:

3 OF 4

EQUIPMENT FURNISHED HAS BEEN FABRICATED IN ACCORDANCE WITH THIS DRAWING.



THIS DRAWING AND/OR THE TECHNICAL INFORMATION CONTAINED HEREON IS THE PROPERTY OF COOPER B-LINE, INC. ("B-LINE"), AND IS ISSUED IN CONFIDENCE FOR B-LINE ENGINEERING PURPOSES ONLY AND MAY NOT BE REPRODUCED OR USED FOR ANY PURPOSE WHATSOEVER WITHOUT THE EXPRESS WRITTEN PERMISSION OF B-LINE TO THE USER. THIS DRAWING AND/OR TECHNICAL INFORMATION IS THE PROPERTY OF B-LINE AND IS LOANED FOR MUTUAL ASSISTANCE. TO BE RETURNED WHEN ITS INTENDED PURPOSE HAS BEEN SERVED.

COOPER B-Line

509 West Monroe St.
 Highland, IL 62249
 Phone (800) 851-7415
 FAX (800) 356-1438

www.cooperbline.com

INSTRUCTION SHEET

TITLE:

**2-POST HIGH DENSITY
 CABLE MANAGEMENT RACK**

REFERENCE DWG(S):

SUBMITTAL NO:

IS00027623

DRAWN BY:

JJH

REV.

B

DATE:

3/1/16

MODEL SOURCE FILE:

S00027623

REV:

00

SHEET:

4 OF 4

EQUIPMENT FURNISHED HAS BEEN FABRICATED IN ACCORDANCE WITH THIS DRAWING.